

**Falcon HR**



# **Catalog of Mounts**

**Updated 5-5-2017**

## ***Table of Contents***

### **FALCON HR MOUNTS AND HOLSTERS**

#### **UNIVERSAL MOUNTS- ANY CAR MAKE, MODEL, YEAR**

7" Pod Dash Mount (Part Number: 200-1531-00)	PAGE 2 OF 15
7" Handheld Dash Mount (Part Number: 200-2113-00)	PAGE 3 OF 15
12" Handheld Dash Mount (Part Number: 200-2113-10)	PAGE 4 OF 15
Tripod Center Mount (Part Number: 200-2166-00)	PAGE 5 OF 15

#### **FORD MODELS SUPPORTED- INTERCEPTOR**

Interceptor Mount (Part Number: 050-1877-00)	PAGE 6 OF 15
--	--------------

**MOTORCYCLES-** *(Note: Mounts for Victory motorcycles must be ordered through the Victor Dealer. No kits are currently available for Yamaha or Suzuki. KSI mounts cover police models only. Mounting may not work with civilian models.)*

#### **UNIVERSAL MOUNTS**

Motorcycle Handlebar Mount (Part Number: 050-0776-00)	PAGE 7 OF 15
---	--------------

#### **BMW MODELS SUPPORTED- 1200RTP, 1200RT**

2010-2013 Handlebar Mount (Part Number: 050-0776-01)	PAGE 8 OF 15
2009-2013 Holster with Mount (Part Number: 050-0861-02)	PAGE 9 OF 15

#### **HARLEY DAVIDSON MODELS SUPPORTED- ELECTRA GLIDE, ROAD KING**

2006-2013 Handlebar Mount (Part Number: 050-0776-00)	PAGE 10 OF 15
2006-2013 Holster and Mount (Part Number: 050-0661-00)	PAGE 11 OF 15

#### **KAWASAKI MODELS SUPPORTED- KZP 1400 CONCOURSE**

2009-2013 Handlebar Mount (Part Number: 050-0776-00)	PAGE 12 OF 15
2009-2013 Holster with Mount (Part Number: 050-0861-01)	PAGE 13 OF 15

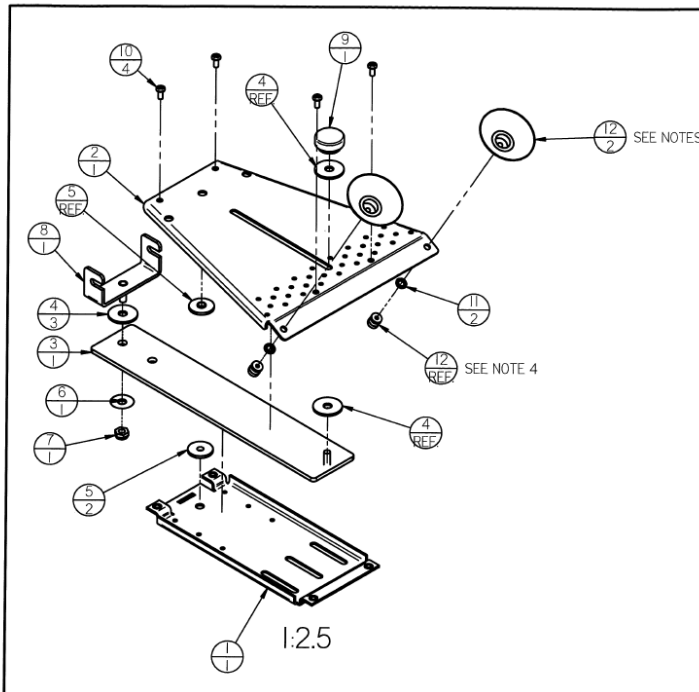
#### **HONDA MODELS SUPPORTED- ST 1300 PA**

2007-2013 Handlebar Mount (Part Number: 050-0776-00)	PAGE 14 OF 15
2007-2013 Holster with Mount (Part Number: 050-0861-01)	PAGE 15 OF 15

## 7" POD DASH MOUNT

Vehicles: Universal Car  
 Model Years: Universal  
 Location: Dash  
 Products: Falcon HR with Pod

**ORDER PART NUMBER 200-1531-00**



10 4  
 9 1  
 4 REF  
 2 1  
 5 REF  
 8 1  
 4 3  
 3 1  
 6 1  
 7 1  
 5 2  
 11 2  
 12 REF  
 4 REF  
 12 2 SEE NOTES 2 & 3  
 12 REF SEE NOTE 4  
 4 REF  
 1:2.5

REFERENCE BILL OF MATERIAL 200-1531-00

Item Number	Quantity	Title	Document Number
14	1	KIT, RADAR DASH MOUNT	050-0093-00
13	1	BAG, PLASTIC 9 X 24	035-0329-00
12	2	SUCTION CUP	090-0297-00
11	2	WASHER, INTERNAL TOOTH #8	089-8500-05
10	4	SCREW, PHILLIPS PAN HEAD MACHINE #6-32 X .3125	089-5062-05
9	1	KNOB, FEMALE	090-0298-00
8	1	TALON SWIVEL MOUNT	047-3280-02
7	1	NUT, ELASTIC STOP 10-32	089-2310-22
6	1	SPRING WASHER	089-8801-01
5	2	SHOULDER WASHER	090-0004-06
4	3	NYLON WASHER .878 O.D. X .253 I.D.	090-0103-02
3	1	SLIDER BRACKET 7"	047-1244-04
2	1	DASH TOP BRACKET 7"	047-1246-02
1	1	DASH BOTTOM BRACKET 7"	047-1245-03

REVISIONS

REV	ECO	DATE	BY	APP	SE	THIRD ANGLE PROJECTION	DATE
0	REL	12-98	SHAY	MS			05-07
1	1298	4-99	SHAY	MS			5-07
2	1306	4-99	SHAY	MS			5-23-07
3	4679	05-15-07	SJW				

NOTES

- PLACE COMPLETED ASSEMBLY INTO 035-0329-00 (PLASTIC BAG) ALONG WITH 050-0093-00 (KIT, RADAR DASH MOUNT).
- POSITION SUCTION CUPS WITH RELEASE TABS UP.
- PLACE ONE DROP OF SUPER BONDER 414 (LOCTITE) ON THREADS OF SUCTION CUP END OF STUD BEFORE ASSEMBLING TOGETHER.
- PLACE A SMALL AMOUNT OF LOCTITE 222 ON THREADS BEFORE INSTALLING NUT.

TOLERANCES UNLESS NOTED - DIMENSIONS ARE IN INCHES UNLESS SPECIFIED OTHERWISE

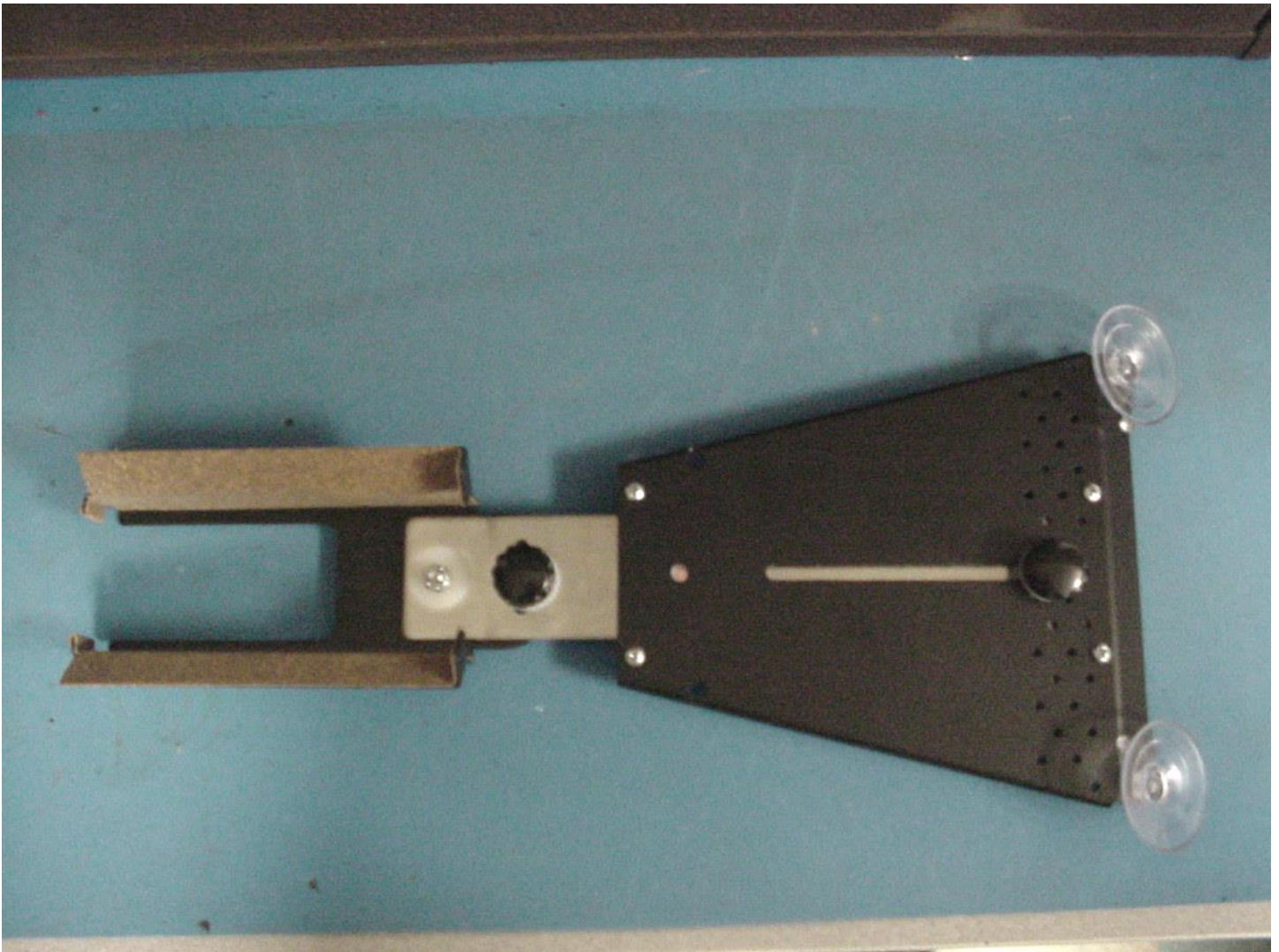
UNIT: MOUNTS

PIN: 300-1054-00

## 7" HANDHELD DASH MOUNT

Vehicles: Universal Car  
Model Years: Universal  
Location: Dash  
Products: Falcon HR with Handle

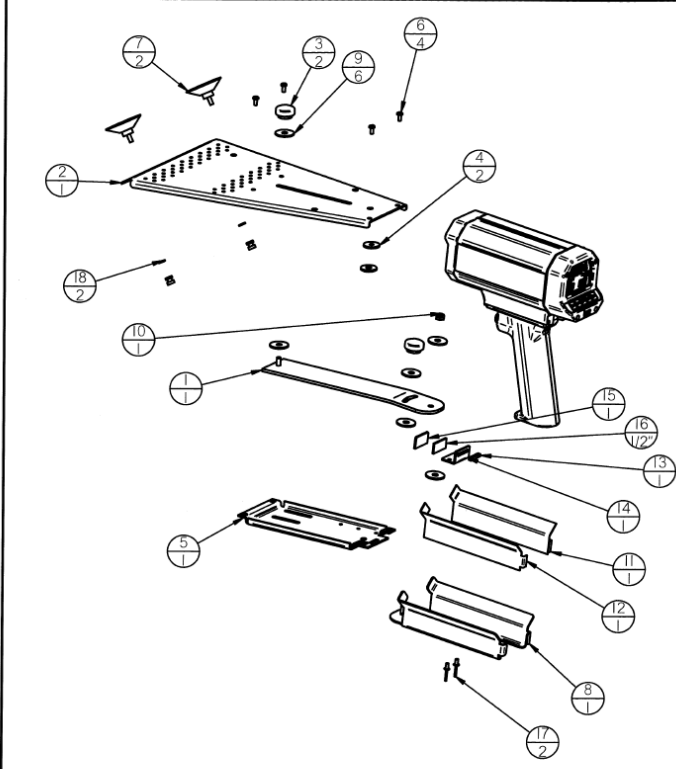
**ORDER PART NUMBER 200-2113-00**



## 12" HANDHELD DASH MOUNT

Vehicles: Universal Car  
 Model Years: Universal  
 Location: Dash  
 Products: Falcon HR with Handle

**ORDER PART NUMBER 200-2113-10**



REFERENCE BILL OF MATERIAL 200-1991-00

Item Number	Quantity	Title	Document Number
18	2	WASHER, INTERNAL TOOTH #8	089-8500-05
17	2	POP RIVET, DOME HEAD STAINLESS STEEL	092-0089-00
16	1/2"	TAPE, 3M SCOTCH VHB 1" WIDE	012-0063-00
15	1	BRACKET BACKUP PLATE	047-3978-02
14	1	BRACKET, NO-POD TALON MOUNT	047-3977-02
13	1	MAGNET, NO-POD TALON	090-0754-00
12	1	TALON DASH MOUNT GASKET	187-0209-01
11	1	TALON DASH MOUNT GASKET	187-0209-00
10	1	NUT, ELASTIC STOP 10-32	089-2310-22
9	6	NYLON WASHER .878 O.D. X .253 I.D.	090-0103-02
8	1	TALON DASH MOUNT BRACKET	047-3937-02
7	2	SUCTION CUP, WITH KNURLED NUT	090-0297-00
6	4	SCREW, PHILLIPS PAN HEAD MACHINE #6-32 X .3125	089-5062-05
5	1	DASH BOTTOM BRACKET 7"	047-1245-03
4	2	SHOULDER WASHER	090-0004-06
3	2	KNOB, FEMALE	090-0298-00
2	1	BRACKET, DASH TOP 12"	047-1125-02
1	1	TALON DASH MOUNT SLIDE	047-3938-01

REVISIONS					SE	THIRD ANGLE PROJECTION	DATE	
REV	ECD	DATE	BY	APP	DRN	DATE	DATE	DATE
0	REL	10-19-04	SJW	MS		10-04		
1	4376	10-25-05	SJW	<i>[Signature]</i>	GHR	10-04		
					APP	10-20-04		
					MS	10-20-04		

TOLERANCES UNLESS NOTED - DIMENSIONS ARE IN INCHES UNLESS SPECIFIED OTHERWISE

LINEAR ANGLES ± .1°  
 HOLES ± .005  
 INCH ± .016"

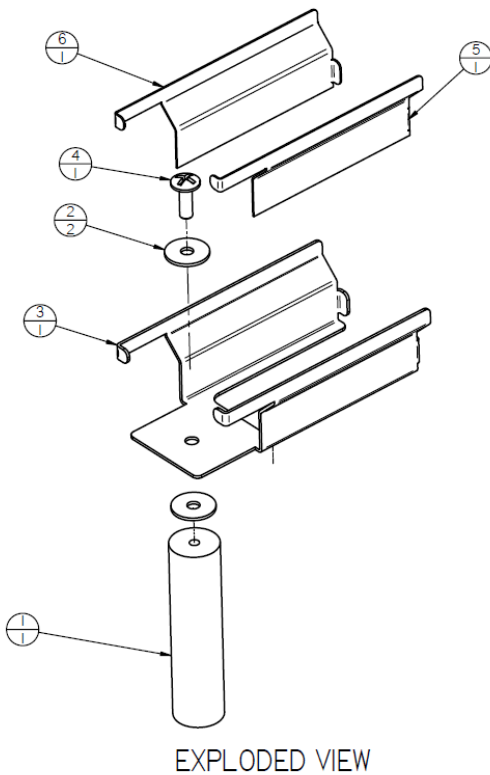
SCALE: REF. SHIT 1 OF 1

TITLE: ASSEMBLY, TALON II 12 INCH DASH MOUNT  
 UNIT: TALON II  
 PIN: 300-1442-00  
 SIZE: B

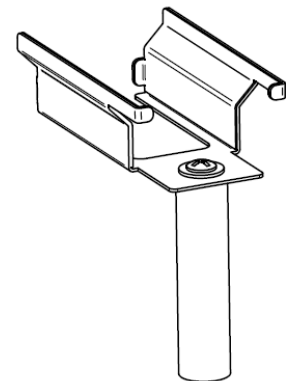
### TRIPOD CENTER MOUNT

Vehicles: Universal  
 Model Years: 2013-Present  
 Location: Center Dash Tray  
 Products: Falcon HR

**ORDER PART NUMBER 200-2166-00**



EXPLODED VIEW



ASSEMBLED VIEW

REFERENCE BILL OF MATERIALS: 200-2166-00

Item Number	Quantity	Title	Document Number
6	1	GASKET, FALCON HR CRADLE	187-0226-00
5	1	GASKET, FALCON HR CRADLE	187-0226-01
4	1	MACHINE SCREW TRUSS HEAD PHILLIPS 1/4 - 20 X 3/4 INCHES	089-5893-12
3	1	BRACKET, FALCON HR TRIPOD	047-4400-00
2	2	NYLON WASHER, .878 O.D. X .253 I.D.	090-0103-02
1	1	ROD 4" THREADED	076-0240-00

REVISIONS					SE	THIRD ANGLE PROJECTION	TITLE	
REV	ECO	DATE	BY	APP			ASSEMBLY, FALCON HR TRIPOD MOUNT	
0	REL	12-29-09	SHW	SHEL			UNIT FALCON HR	
					CHK	SHW	DATE	11-25-09
					APP	MMW	DATE	1-4-10
					APP	SHEL	DATE	1-4-10
TOLERANCES UNLESS NOTED - DIMENSIONS ARE IN INCHES UNLESS SPECIFIED OTHERWISE							TITLE	
DRAWN							ANGLES ± 1°	
X ± .1							HOLES ± .005	
XX ± .03							NOCH ± .118"	
XXX ± .015							SCALE	
SCALE							REF.	SHT 1 OF 1
							PIN	300-1538-00
							USE	B

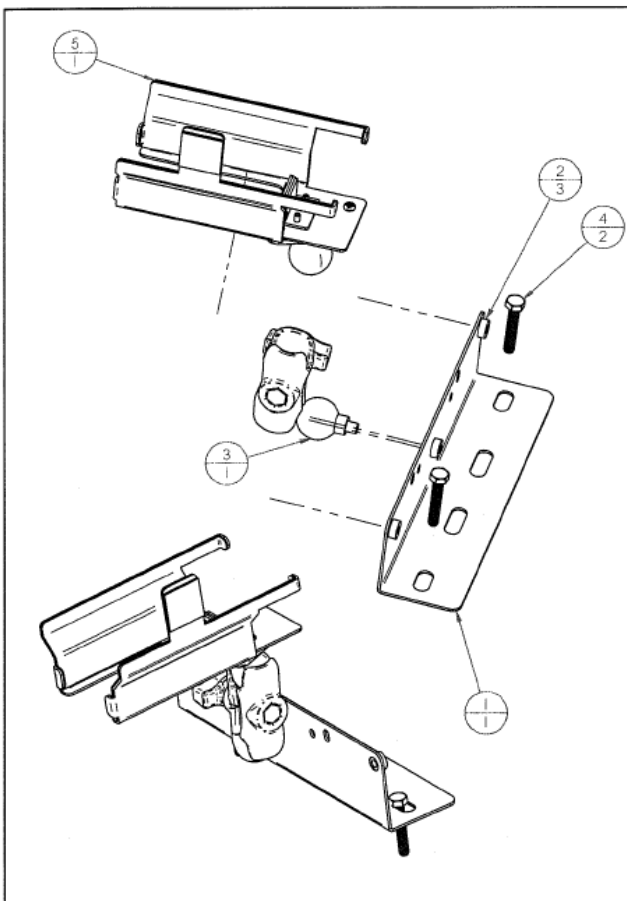
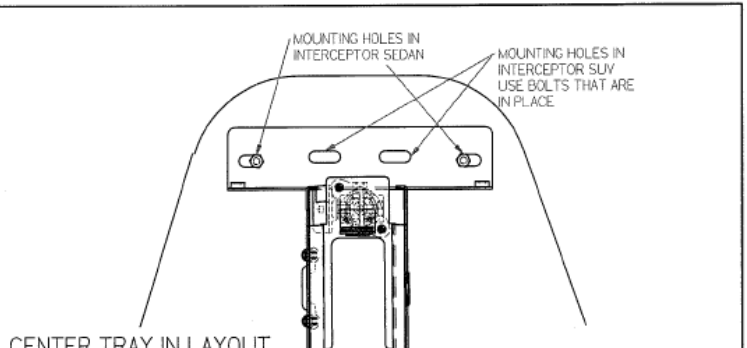
NOTES:  
 1. PLACE ADHESIVE-BACK CORK FIRMLY INTO PLACE ON ITEM 3 BRACKET

**KUSTOM SIGNALS, INC.**  
 1010 W. CHESTNUT  
 CHARLOTTE, NC 28720-1429  
 THIS DOCUMENT IS CONFIDENTIAL, THE SOLE PROPERTY OF KUSTOM SIGNALS, INC. and is disclosed to the holder for his confidential use only. The holder promises and agrees that it shall not be reproduced or copied in any manner, be lent to others, nor be disposed of entirely or in part.

## Interceptor Mount

Vehicles: Ford Interceptor  
 Model Years: 2012-Present  
 Location: Dash Board, Center Dash Tray  
 Products: Falcon HR


**ORDER PART NUMBER 050-1877-00**

**CENTER TRAY IN LAYOUT**

IN SEDAN - REMOVE BOLTS AND INSTALL MAIN BRACKET AND USE THE LONGER M6X35 BOLTS  
 IN SUV - REMOVE TRAY AND MOUNTING BOLTS. MARK BOLT HOLE LOCATIONS AND DRILL HOLES IN TRAY. REPLACE TRAY AND MOUNT BRACKET USING THE EXISTING BOLTS

Item Number	Document Number	Title	Quantity
1	047-6445-00	MAIN BRACKET- FORD INTERCEPTOR	1
2	092-0003-35	SELF CLINCH FASTENER 1/4 - 20	3
3	015-0727-05	1" RUBBER BALL W/1/4"-20 ALUM STUD	1
4	089-5994-18	BOLT-ASME GR M6X35MM BLK	2
5	050-0776-00/01	KIT, FALCON HR MOTORCYCLE SHORT/LONG HANDLEBAR	1

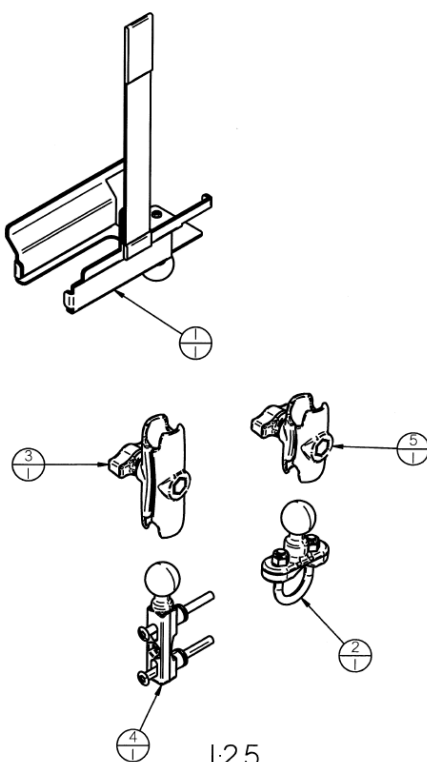
REVISIONS					SEC	THIRD AND F PROJECTION	DATE	 <b>KUSTOM SIGNALS, INC.</b> 250 W. DREXEL BLVD CHICAGO, IL 60620-4425 This document is CONFIDENTIAL, THE SOLE PROPERTY of KUSTOM SIGNALS, INC. and is disclosed to the holder for his confidential use only. The holder promises and agrees that it shall not be reproduced or copied in any manner be lent to others nor be disposed of entirely or in part.
REV	EDD	DATE	BY	APP		DATE		
D	REL					5-16-13	<b>TITLE</b> FORD INTERCEPTOR FALCON MOUNT <b>UNIT</b> RADAR <b>P/N</b> 050-1877-00	

TO: DRAWINGS UNLESS NOTED - DIMENSIONS ARE IN INCHES UNLESS SPECIFIED OTHERWISE  
 DIMEN: INCHES 1" = 1" HOLES: 1.000  
 X: 1:1 XX: 0.3 INCH: 1:1/8  
 SCALE: REF. SHEET 1 OF 1

### Motorcycle Handlebar Mount

Vehicles: All Motorcycles with Tube Handlebar  
 Model Years: 2012-Present  
 Location: Handlebar  
 Products: Falcon HR

**ORDER PART NUMBER 050-0776-00**




NOTES  
 1. 050-0776-00 = HANDLEBAR KIT  
 050-0776-01 = BMW KIT

REFERENCE BILL OF MATERIALS - 050-0776-00/01

Item Number	Quantity	Title	Document Number
5	1	DOUBLE BALL AND SOCKET ARM	015-0727-01
4	1	BASE, MOTORCYCLE HANDLEBAR (-01 ONLY)	015-0727-00
3	1	DOUBLE SOCKET ARM FOR 1" BALLS	015-0727-03
2	1	BASE WITH U-BOLT & 1" BALL (-00 ONLY)	015-0727-04
1	1	ASSEMBLY, FALCON HR MOTORCYCLE MOUNT	200-2114-00

REVISIONS					SEC	THIRD ANGLE PROJECTION	DATE
REV.	ECD	DATE	BY	APP	CHK	DATE	
0	REL	12-12-06	MS	<i>MS</i>	<i>MS</i>	12-12-06	
					<i>MS</i>	12-06	
					<i>MS</i>	12-13-06	

TOLERANCES UNLESS NOTED - DIMENSIONS ARE IN INCHES UNLESS SPECIFIED OTHERWISE  
 ANGLES ± 1°  
 HOLES ± 0.005  
 INCH ± 1/16"  
 UNITS: FALCON HR  
 P/N: 006-1063-00  
 SHEET: 1 OF 1



KUSTOM SIGNALS, INC.  
 1010 W. CHESTNUT  
 CHICAGO, IL 60620-1420

This document is CONFIDENTIAL, THE SOLE PROPERTY of KUSTOM SIGNALS INC. and is disclosed to the holder for his confidential use only. The holder promises and agrees that it shall not be reproduced or copied in any manner, be lent to others, nor be disposed of entirely or in part.

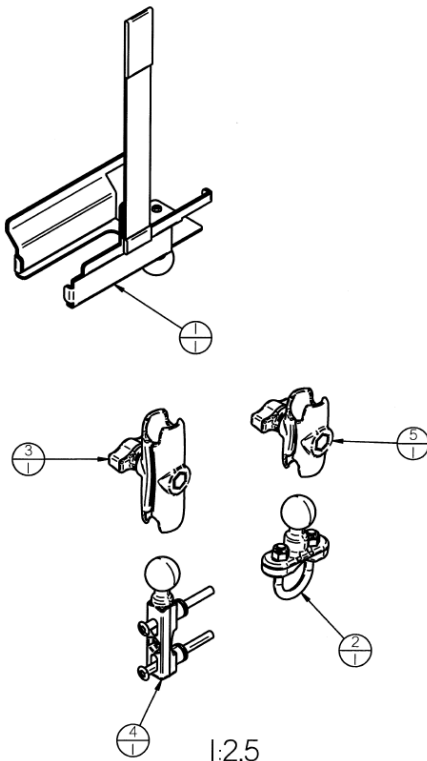
TITLE: KIT, FALCON HR MOTORCYCLE SHORT/LONG HANDLEBAR  
 UNIT: FALCON HR  
 P/N: 006-1063-00



### 2010-2013 Handlebar Mount

Vehicles: BMW 1200 RTP  
 BMW 1150 RTP  
 Model Years: Universal  
 Location: Handlebar  
 Products: Falcon HR with Handle

**ORDER PART NUMBER 050-0776-01**

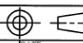



1:2.5

NOTES  
 1. 050-0776-00 = HANDLEBAR KIT  
 050-0776-01 = BMW KIT

REFERENCE BILL OF MATERIALS - 050-0776-00/01

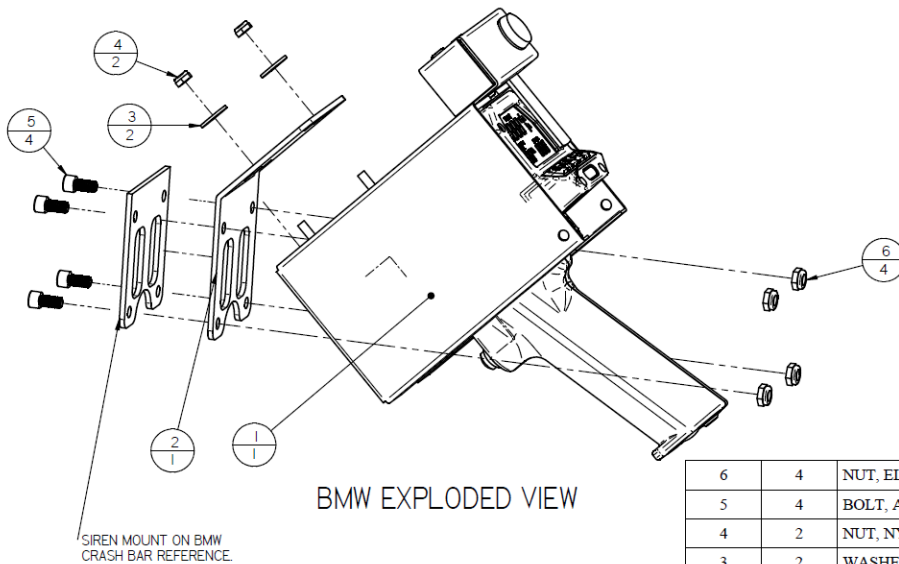
Item Number	Quantity	Title	Document Number
5	1	DOUBLE BALL AND SOCKET ARM	015-0727-01
4	1	BASE, MOTORCYCLE HANDLEBAR (-01 ONLY)	015-0727-00
3	1	DOUBLE SOCKET ARM FOR 1" BALLS	015-0727-03
2	1	BASE WITH U-BOLT & 1" BALL (-00 ONLY)	015-0727-04
1	1	ASSEMBLY, FALCON HR MOTORCYCLE MOUNT	200-2114-00

REVISIONS						SEC	THIRD ANGLE PROJECTION			 KUSTOM SIGNALS, INC. 1010 W CHESTNUT SHANUTE, KS 66720-1429 <small>This document is CONFIDENTIAL, THE SOLE PROPERTY OF KUSTOM SIGNALS INC. and is disclosed to the holder for his confidential use only. The holder promises and agrees that it shall not be reproduced or copied in any manner, be lent to others, nor be disposed of entirely or in part.</small>
REV	ECO	DATE	BY	APP	DATE	DRW	MS	DATE		
0	REL	12-12-06	MS	<i>JJS</i>				12-12-06		
						CHK	<i>JJS</i>	12-06		
						APP	<i>JJS</i>	12-13-06		
<small>TOLERANCES UNLESS NOTED - DIMENSIONS ARE IN INCHES UNLESS SPECIFIED OTHERWISE</small>										
<small>LINEAR: .XX ± .01 ANGLES ± 1° HOLES ± .005</small>										
<small>XXX ± .015 INCH ± .016"</small>										
<small>SCALE: REF. SHIT 1 OF 1</small>										
<small>TITLE: KIT, FALCON HR MOTORCYCLE SHORT/LONG HANDLEBAR</small>								<small>UNIT: FALCON HR</small>		
<small>PIN: 006-1063-00</small>								<small>SHEET: B</small>		

### 2009-2013 Holster with Mount

Vehicles: BMW 1200 RTP  
 BMW 1150 RTP  
 Model Years: 1999-Present  
 Location: Crash Bar  
 Products: Falcon

**ORDER PART NUMBER 050-0861-02**



**BMW EXPLODED VIEW**

REFERENCE BILL OF MATERIALS:050-0861-02

Item Number	Quantity	Title	Document Number
6	4	NUT, ELASTIC LOCK 1/4-20	089-2312-55
5	4	BOLT, ALLEN SOCKET HEAD CAP, BLK, 1/4-20X.5"	089-6245-08
4	2	NUT, NYLON LOCK, 10-32 S.S.	089-2310-55
3	2	WASHER, #8 FLAT	089-8301-07
2	1	BRACKET ,HOLSTER MOUNT, BMW	047-4571-00
1	1	ASSY, HOLSTER FALCON HR	200-2263-00

- NOTES:  
 1. BRACKETS ARE TO BE MOUNTED TO THE SIREN MOUNT.  
 2. MOUNT THE BRASKER TO THE BIKE AND THEN ATTACH THE HOLSTER TO THE BRACKET.

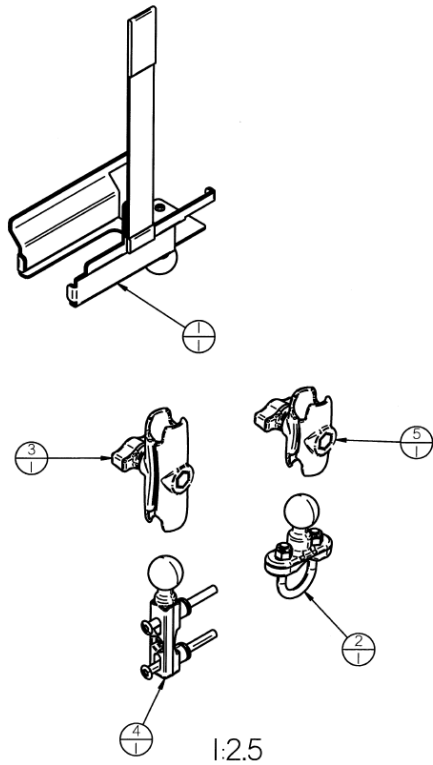
REVISIONS					SE	THIRD ANGLE PROJECTION	TITLE	
REV	ECO	DATE	BY	APP	DRN	DATE	KUSTOM SIGNALS, INC. 1010 W. CHESTNUT CHANUTE, KS 66720-1429	
0	REL	03-15-12	SDM	MS	SDM	9-16-11	This document is CONFIDENTIAL, THE SOLE PROPERTY of KUSTOM SIGNALS INC, and is disclosed to the holder for his confidential use only. The holder promises and agrees that it shall not be reproduced or copied in any manner, be lent to others, nor be disposed of entirely or in part.	
					CHK	SDM	03-15-12	TOLERANCES UNLESS NOTED - DIMENSIONS ARE IN INCHES UNLESS SPECIFIED OTHERWISE.
					APP	MG	03-28-12	LINEAR ANGLES = 11°
								Holes = .005
								20X .03
								INCH = 116°
								SCALE
					REF.	SHT 1 OF 1	P/N	006-0990-02
								SIZE B

### 2006-2013 Handlebar Mount

Vehicles: Harley Davidson Electra Glide  
 Harley Davidson Road King  
 Model Years: 1999-2013  
 Location: Handle Bar  
 Products: Falcon HR with Handle

**ORDER PART NUMBER 050-0776-00**

NOTES  
 1. 050-0776-00 = HANDLEBAR KIT  
 050-0776-01 = BMW KIT



REFERENCE BILL OF MATERIALS - 050-0776-00/01

Item Number	Quantity	Title	Document Number
5	1	DOUBLE BALL AND SOCKET ARM	015-0727-01
4	1	BASE, MOTORCYCLE HANDLEBAR (-01 ONLY)	015-0727-00
3	1	DOUBLE SOCKET ARM FOR 1" BALLS	015-0727-03
2	1	BASE WITH U-BOLT & 1" BALL (-00 ONLY)	015-0727-04
1	1	ASSEMBLY, FALCON HR MOTORCYCLE MOUNT	200-2114-00

REVISIONS					SE	THIRD ANGLE PROJECTION	DATE
REV	EDD	DATE	BY	APP	DATE		
0	REL	12-12-06	MS	1275	MS		12-12-06
	CHK						12-06
	APP						12-13-06

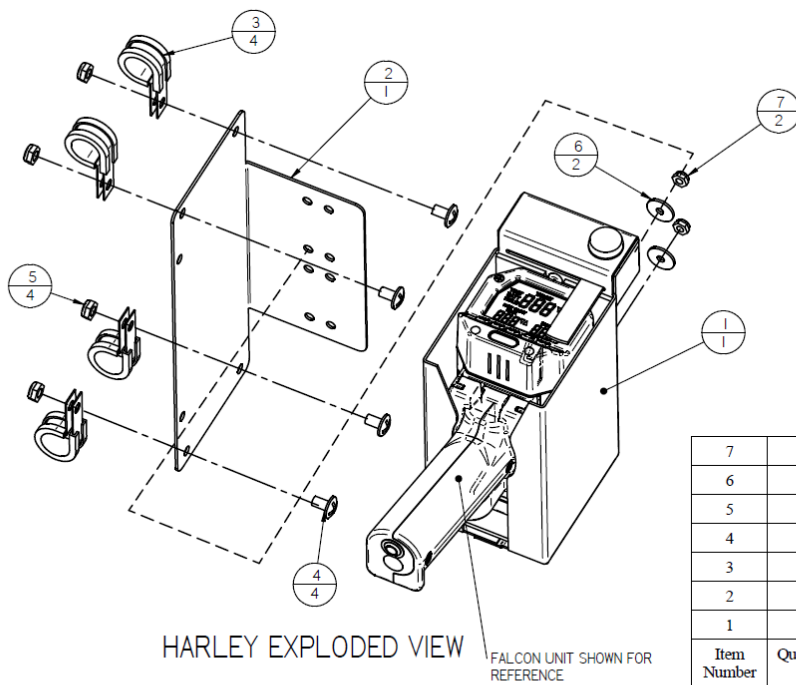
  

TOLERANCES UNLESS NOTED - DIMENSIONS ARE IN INCHES UNLESS SPECIFIED OTHERWISE FINISH: ANGLES 90° Holes: ±.03 HOLES: ±.005 INCH: ±.016"		<b>TITLE</b> KIT, FALCON HR MOTORCYCLE SHORT/LONG HANDLEBAR
<b>UNIT</b> FALCON HR		<b>P/N</b> 006-1063-00
<b>SCALE</b> REF.		<b>SH</b> 1 OF 1

## 2006-2013 Holster and Mount

Vehicles: Harley Davidson Electra Glide  
 Harley Davidson Road King  
 Model Years: 1999-Present  
 Location: Rear Saddlebag  
 Products: Falcon HR with Handle

**ORDER PART NUMBER 050-0861-00**

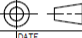



REFERENCE BILL OF MATERIALS:-  
 HARLEY - USE 050-0861-00

Item Number	Quantity	Title	Document Number
7	2	WASHER, #8 FLAT	089-8301-07
6	2	NUT, NYLON LOCK 10-32 S.S.	089-2310-55
5	4	NUT, ELASTIC LOCK 1/4-20	089-2312-55
4	4	SCREW, MACH TRUSS HD, 1/4-20X7/16"	089-5893-07
3	4	CLAMP, EMPD CUSHIONED, 7/8" DIA	090-0827-00
2	1	BRACKET, HOLSTER MOUNT, HARLEY	047-4570-00
1	1	ASSY, HOLSTER FALCON HR	200-2263-00

**NOTES:**

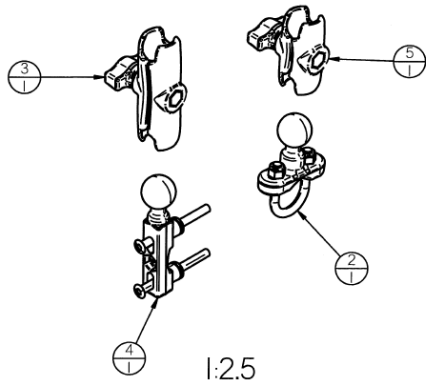
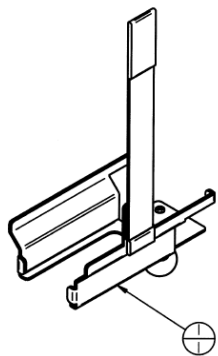
- BRACKETS TO BE MOUNTED TO SADDLE BAG BARS.
- MOUNT BRACKET TO BIKE, THEN ATTACH THE HOLSTER TO THE BRACKET.

REVISIONS					SE	THIRD ANGLE PROJECTION			 KUSTOM SIGNALS, INC. 1010 W. CHESTNUT CHANUTE, KS 66720-1429 <small>THIS DOCUMENT IS CONFIDENTIAL. THE SOLE PROPERTY OF KUSTOM SIGNALS, INC. AND IS LOANED TO THE HOLDER FOR HIS CONFIDENTIAL USE ONLY. THE HOLDER PROMISES AND AGREES THAT IT SHALL NOT BE REPRODUCED OR COPIED IN ANY MANNER, BE LENT TO OTHERS, NOR BE DISPOSED OF ENTIRELY OR IN PART.</small>
REV	ECO	DATE	BY	APP	DRN	DATE	DATE		
0	REL	03-15-12	SDM	MS	SDM	5-11-11	9-09-11		
					MS	03-28-12			
<small>TOLERANCES UNLESS NOTED: DIMENSIONS ARE IN INCHES UNLESS SPECIFIED OTHERWISE</small> LINEAR: ANGLES ± 1° Holes: ± 0.005 XX ± .03 XXX ± .015 SCALE: REF. OF 1									
TITLE: INSTR. FHR MC HOLSTER UNIT: RADAR								PIN	006-0990-00
								SHT	1
								OF	1
								SIZE	B

### 2009-2013 Handlebar Mount

Vehicles: KZP 1400 Concourse  
 Model Years: 2009-2013  
 Location: Handlebar  
 Products: Falcon HR with Handle

**ORDER PART NUMBER 050-0776-00**



NOTES  
 1. 050-0776-00 = HANDLEBAR KIT  
 050-0776-01 = BMW KIT


REFERENCE BILL OF MATERIALS - 050-0776-00/01

Item Number	Quantity	Title	Document Number
5	1	DOUBLE BALL AND SOCKET ARM	015-0727-01
4	1	BASE, MOTORCYCLE HANDLEBAR (-01 ONLY)	015-0727-00
3	1	DOUBLE SOCKET ARM FOR 1" BALLS	015-0727-03
2	1	BASE WITH U-BOLT & 1" BALL (-00 ONLY)	015-0727-04
1	1	ASSEMBLY, FALCON HR MOTORCYCLE MOUNT	200-2114-00

REVISIONS					SE	THIRD ANGLE PROJECTION	DATE
REV	EDD	DATE	BY	APP			
0	REL	12-12-06	MS	1215			12-12-06
					MS		12-06
					MS		12-13-06

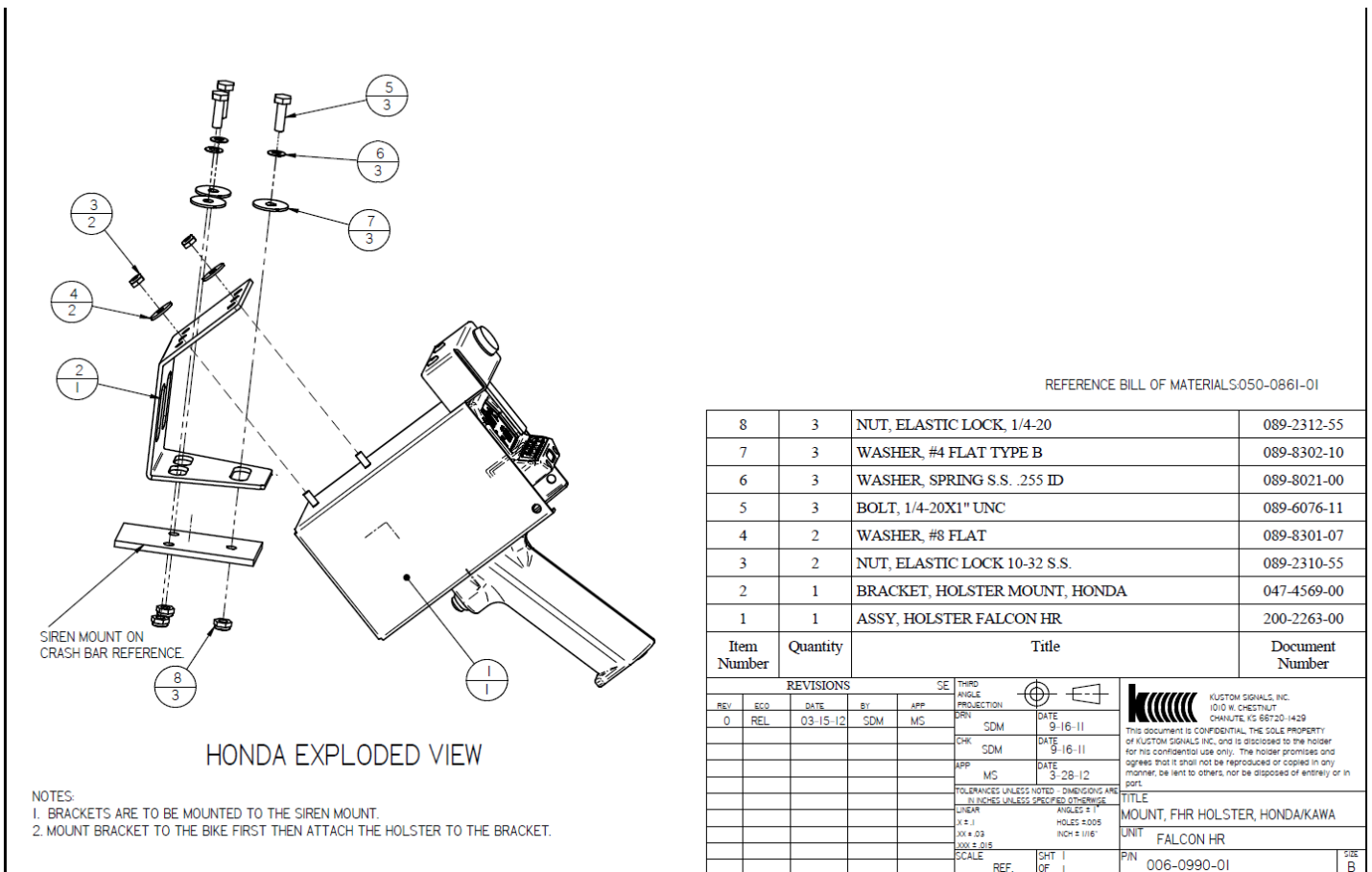
  

 KUSTOM SIGNALS, INC. 1010 W CHESTNUT CHARLOTTE, KS 66720-1429		This document is CONFIDENTIAL, THE SOLE PROPERTY OF KUSTOM SIGNALS INC, and is disclosed to the holder for his confidential use only. The holder promises and agrees that it shall not be reproduced or copied in any manner, be lent to others, nor be disposed of entirely or in part.
TOLERANCES UNLESS NOTED - DIMENSIONS ARE IN INCHES UNLESS SPECIFIED OTHERWISE FINISH: ANODIZED ALUMINUM X ± .03 Holes ± .005 INCH ± .016"		
TITLE		KIT, FALCON HR MOTORCYCLE SHORT/LONG HANDLEBAR
UNIT		FALCON HR
P/N		006-1063-00
SCALE		REF. SH1 OF 1
		SEE B

### 2009-2013 Holster with Mount

Vehicles: KZP 1400 Concourse  
 Model Years: 2009-2013  
 Location: Crashbar  
 Products: Falcon HR with Handle

**ORDER PART NUMBER 050-0861-01**



REFERENCE BILL OF MATERIALS:050-0861-01

8	3	NUT, ELASTIC LOCK, 1/4-20	089-2312-55
7	3	WASHER, #4 FLAT TYPE B	089-8302-10
6	3	WASHER, SPRING S.S. .255 ID	089-8021-00
5	3	BOLT, 1/4-20X1" UNC	089-6076-11
4	2	WASHER, #8 FLAT	089-8301-07
3	2	NUT, ELASTIC LOCK 10-32 S.S.	089-2310-55
2	1	BRACKET, HOLSTER MOUNT, HONDA	047-4569-00
1	1	ASSY, HOLSTER FALCON HR	200-2263-00
Item Number	Quantity	Title	Document Number

**HONDA EXPLODED VIEW**

NOTES:  
 1. BRACKETS ARE TO BE MOUNTED TO THE SIREN MOUNT.  
 2. MOUNT BRACKET TO THE BIKE FIRST THEN ATTACH THE HOLSTER TO THE BRACKET.

REV	ECO	DATE	BY	APP	SE	THIRD ANGLE PROJECTION	DATE
0	REL	03-15-12	SDM	MG			9-16-11
							9-16-11
							3-28-12

TOLERANCES UNLESS NOTED OTHERWISE ARE:  
 .001" UNLESS SPECIFIED OTHERWISE

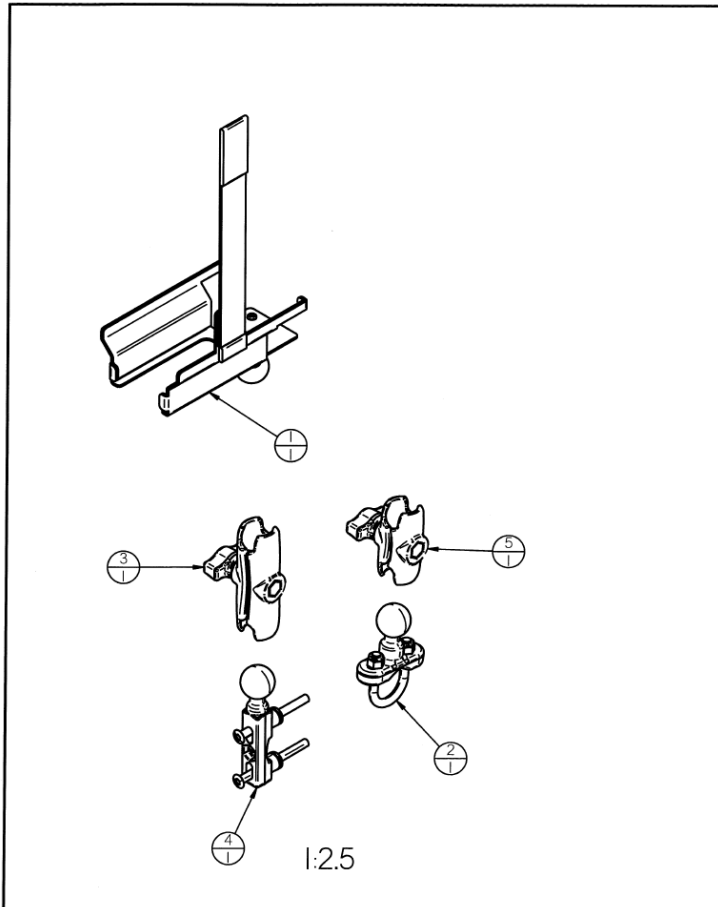
UNIT: FALCON HR  
 PIN: 006-0990-01  
 SHEET: 1 OF 1

**KUSTOM SIGNALS, INC.**  
 1010 W. CHESTNUT  
 CHANUTE, KS 66720-1429  
 THIS DOCUMENT IS CONFIDENTIAL, THE SOLE PROPERTY OF KUSTOM SIGNALS, INC. AND IS DISCLOSED TO THE HOLDER FOR HIS CONFIDENTIAL USE ONLY. THE HOLDER PROMISES AND AGREES THAT IT SHALL NOT BE REPRODUCED OR COPIED IN ANY MANNER, BE LENT TO OTHERS, NOR BE DISPOSED OF ENTIRELY OR IN PART.

### 2007-2013 Handlebar Mount

Vehicles: ST 1300 PA  
 Model Years: 2007-2013  
 Location: Handlebar  
 Products: Falcon HR with Handle

**ORDER PART NUMBER 050-0776-00**



NOTES  
 I. 050-0776-00 = HANDLEBAR KIT  
 050-0776-01 = BMW KIT

REFERENCE BILL OF MATERIALS - 050-0776-00/01

Item Number	Quantity	Title	Document Number
5	1	DOUBLE BALL AND SOCKET ARM	015-0727-01
4	1	BASE, MOTORCYCLE HANDLEBAR (-01 ONLY)	015-0727-00
3	1	DOUBLE SOCKET ARM FOR 1" BALLS	015-0727-03
2	1	BASE WITH U-BOLT & 1" BALL (-00 ONLY)	015-0727-04
1	1	ASSEMBLY, FALCON HR MOTORCYCLE MOUNT	200-2114-00

REVISIONS					SE	THIRD ANGLE PROJECTION	DATE
REV.	EDD	DATE	BY	APP	CHK	DATE	
0	REL	12-12-06	MS	1215	MS	12-12-06	
					MS	12-13-06	

TOLERANCES UNLESS NOTED - DIMENSIONS ARE IN INCHES UNLESS SPECIFIED OTHERWISE  
 ANGLES ± 1°  
 HOLES ± 0.005  
 INCH ± 1/16"

SCALE: REF. SH1 1 OF 1 P/N 006-1063-00

**KUSTOM SIGNALS, INC.**  
 1010 W. CHESTNUT  
 CHANUTE, KS 66720-1429

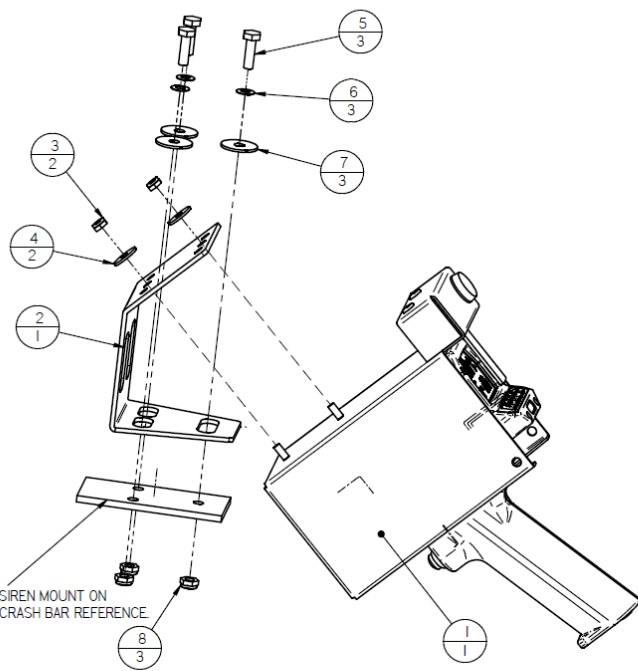
This document is CONFIDENTIAL, THE SOLE PROPERTY of KUSTOM SIGNALS, INC. and is disclosed to the holder for his confidential use only. The holder promises and agrees that it shall not be reproduced or copied in any manner, be lent to others, nor be disposed of entirely or in part.

TITLE: KIT, FALCON HR MOTORCYCLE SHORT/LONG HANDLEBAR  
 UNIT: FALCON HR

### 2007-2013 Holster with Mount

Vehicles: ST 1300 PA  
 Model Years: 2007-Present  
 Location: Crashbar  
 Products: Falcon HR with Handle

**ORDER PART NUMBER 050-0861-01**



**HONDA EXPLODED VIEW**

NOTES:  
 1. BRACKETS ARE TO BE MOUNTED TO THE SIREN MOUNT.  
 2. MOUNT BRACKET TO THE BIKE FIRST THEN ATTACH THE HOLSTER TO THE BRACKET.

REFERENCE BILL OF MATERIALS:050-0861-01

8	3	NUT, ELASTIC LOCK, 1/4-20	089-2312-55
7	3	WASHER, #4 FLAT TYPE B	089-8302-10
6	3	WASHER, SPRING S.S. .255 ID	089-8021-00
5	3	BOLT, 1/4-20X1" UNC	089-6076-11
4	2	WASHER, #8 FLAT	089-8301-07
3	2	NUT, ELASTIC LOCK 10-32 S.S.	089-2310-55
2	1	BRACKET, HOLSTER MOUNT, HONDA	047-4569-00
1	1	ASSY, HOLSTER FALCON HR	200-2263-00

Item Number	Quantity	Title	Document Number																
REVISIONS																			
REV	ECO	DATE	BY																
0	REL	03-15-12	SDM																
<table border="1" style="width: 100%; border-collapse: collapse;"> <tr> <td>SE</td> <td>THIRD ANGLE PROJECTION</td> <td>DATE</td> <td>9-16-11</td> </tr> <tr> <td>DRN</td> <td>SDM</td> <td>DATE</td> <td>9-16-11</td> </tr> <tr> <td>CHK</td> <td>SDM</td> <td>DATE</td> <td>9-16-11</td> </tr> <tr> <td>APP</td> <td>MS</td> <td>DATE</td> <td>3-28-12</td> </tr> </table>				SE	THIRD ANGLE PROJECTION	DATE	9-16-11	DRN	SDM	DATE	9-16-11	CHK	SDM	DATE	9-16-11	APP	MS	DATE	3-28-12
SE	THIRD ANGLE PROJECTION	DATE	9-16-11																
DRN	SDM	DATE	9-16-11																
CHK	SDM	DATE	9-16-11																
APP	MS	DATE	3-28-12																
TOLERANCES UNLESS NOTED: DIMENSIONS ARE IN INCHES UNLESS SPECIFIED OTHERWISE LINEAR: .0005 ANGLES: ±1° HOLES: ±.005 HOLE: ±.016"																			
SCALE: SHY 1 OF 1 REF:																			
<b>TITLE</b> MOUNT, FHR HOLSTER, HONDAKAWA			<b>UNIT</b> FALCON HR																
<b>PIN</b> 006-0990-01			<b>SHEET</b> B																