

Talon® Radar Series



Catalog of Mounts

Updated 5-4-17

Table of Contents

TALON II MOUNTS AND HOLSTERS

UNIVERSAL MOUNTS- ANY CAR MAKE, MODEL, YEAR

7" Pod Dash Mount (Part Number: 200-1531-00)	PAGE 2 OF 17
7" Handheld Dash Mount (Part Number: 200-1861-00)	PAGE 3 OF 17
12" Handheld Dash Mount (Part Number: 200-1991-00)	PAGE 4 OF 17
Tripod Center Mount (Part Number: 200-2166-00)	PAGE 5 OF 17
Interceptor Mount	PAGE 6 OF 17

MOTORCYCLES- *(Notes: Mounts for Victory motorcycles must be ordered through the Victor Dealer. No kits are currently available for Yamaha or Suzuki. KSI mounts cover police models only. Mounting may not work with civilian models.)*

UNIVERSAL MOUNTS

Motorcycle Handlebar Mount (Part Number: 050-0704-00)	PAGE 7 OF 17
1999-2013 KZ 1000 Remote Handlebar Mount (Part Number: 050-0433-06)	PAGE 8 OF 17

BMW MODELS SUPPORTED- 1200RTP, 1200RT, 1150RTP, K75

1999-2013 1200 RTP Handlebar Mount (Part Number: 050-0704-01)	PAGE 9 OF 17
1999-2010 1150 RTP Handlebar Mount (Part Number: 050-0704-01)	PAGE 9 OF 17
2009-2013 1200 RTP Holster With Mount (Part Number: 155-0793-01)	PAGE 10 OF 17
2002-2010 1150 RTP Holster With Mount (Part Number: 015-0793-00)	PAGE 11 OF 17

HARLEY DAVIDSON MODELS SUPPORTED- ELECTRA GLIDE, ROAD KING

2006-2013 Handlebar Mount (Part Number: 050-0704-00)	PAGE 12 OF 17
2006-2013 Abs Holster and Mount (Part Number: 050-0615-09)	PAGE 13 OF 17

KAWASAKI MODELS SUPPORTED: KZP1400 CONCOURSE, KZ1000

2009-2013 KZP 1400 Handlebar Mount (Part Number: 050-0776-00)	PAGE 14 OF 17
1999-2010 KZ 1000 ABS Holster (Part Number 015-0615-07)	PAGE 15 OF 17
1999-2013 KZ 1000 ABS Remote (Part Number: 050-0433-06)	PAGE 16 OF 17

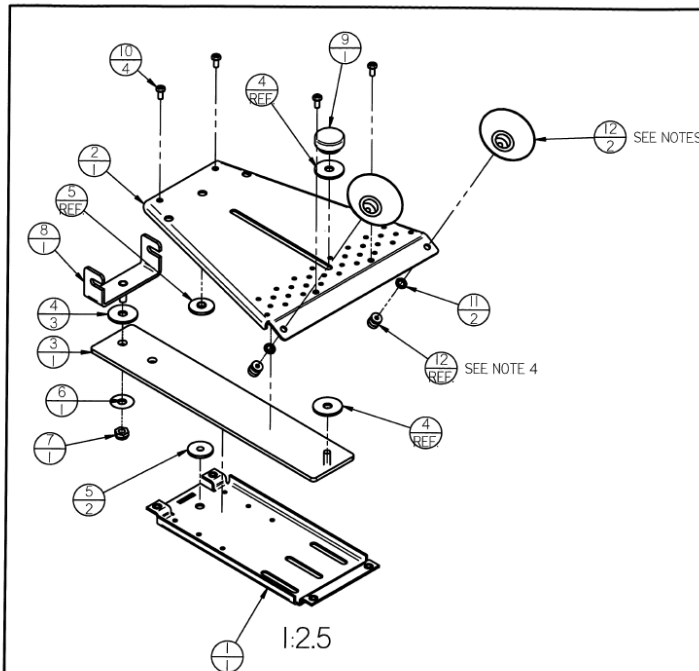
HONDA MODELS SUPPORTED: ST1300PA

2007-2013 Handlebar Mount (Part Number: 050-0704-00)	PAGE 17 OF 17
2007-2013 Holster with Mount (SEE KAWASAKI)	

7" POD DASH MOUNT

Vehicles: Universal Car
 Model Years: Universal
 Location: Dash
 Products: Talon with Pod

ORDER PART NUMBER 200-1531-00



REFERENCE BILL OF MATERIAL 200-1531-00

14	1	KIT, RADAR DASH MOUNT	050-0093-00
13	1	BAG, PLASTIC 9 X 24	035-0329-00
12	2	SUCTION CUP	090-0297-00
11	2	WASHER, INTERNAL TOOTH #8	089-8500-05
10	4	SCREW, PHILLIPS PAN HEAD MACHINE #6-32 X .3125	089-5062-05
9	1	KNOB, FEMALE	090-0298-00
8	1	TALON SWIVEL MOUNT	047-3280-02
7	1	NUT, ELASTIC STOP 10-32	089-2310-22
6	1	SPRING WASHER	089-8801-01
5	2	SHOULDER WASHER	090-0004-06
4	3	NYLON WASHER .878 O.D. X .253 I.D.	090-0103-02
3	1	SLIDER BRACKET 7"	047-1244-04
2	1	DASH TOP BRACKET 7"	047-1246-02
1	1	DASH BOTTOM BRACKET 7"	047-1245-03

Item Number	Quantity	Title	Document Number
REVISIONS			
REV	ECO	DATE	BY
0	REL	12-98	SHAY MS
1	1298	4-99	SHAY MS
2	1306	4-99	SHAY MS
3	4679	05-15-07	SJW MS

NOTES

- PLACE COMPLETED ASSEMBLY INTO 035-0329-00 (PLASTIC BAG) ALONG WITH 050-0093-00 (KIT, RADAR DASH MOUNT).
- POSITION SUCTION CUPS WITH RELEASE TABS UP.
- PLACE ONE DROP OF SUPER BONDER 414 (LOCTITE) ON THREADS OF SUCTION CUP END OF STUD BEFORE ASSEMBLING TOGETHER.
- PLACE A SMALL AMOUNT OF LOCTITE 222 ON THREADS BEFORE INSTALLING NUT.

TOLERANCES UNLESS NOTED - DIMENSIONS ARE IN INCHES UNLESS SPECIFIED OTHERWISE

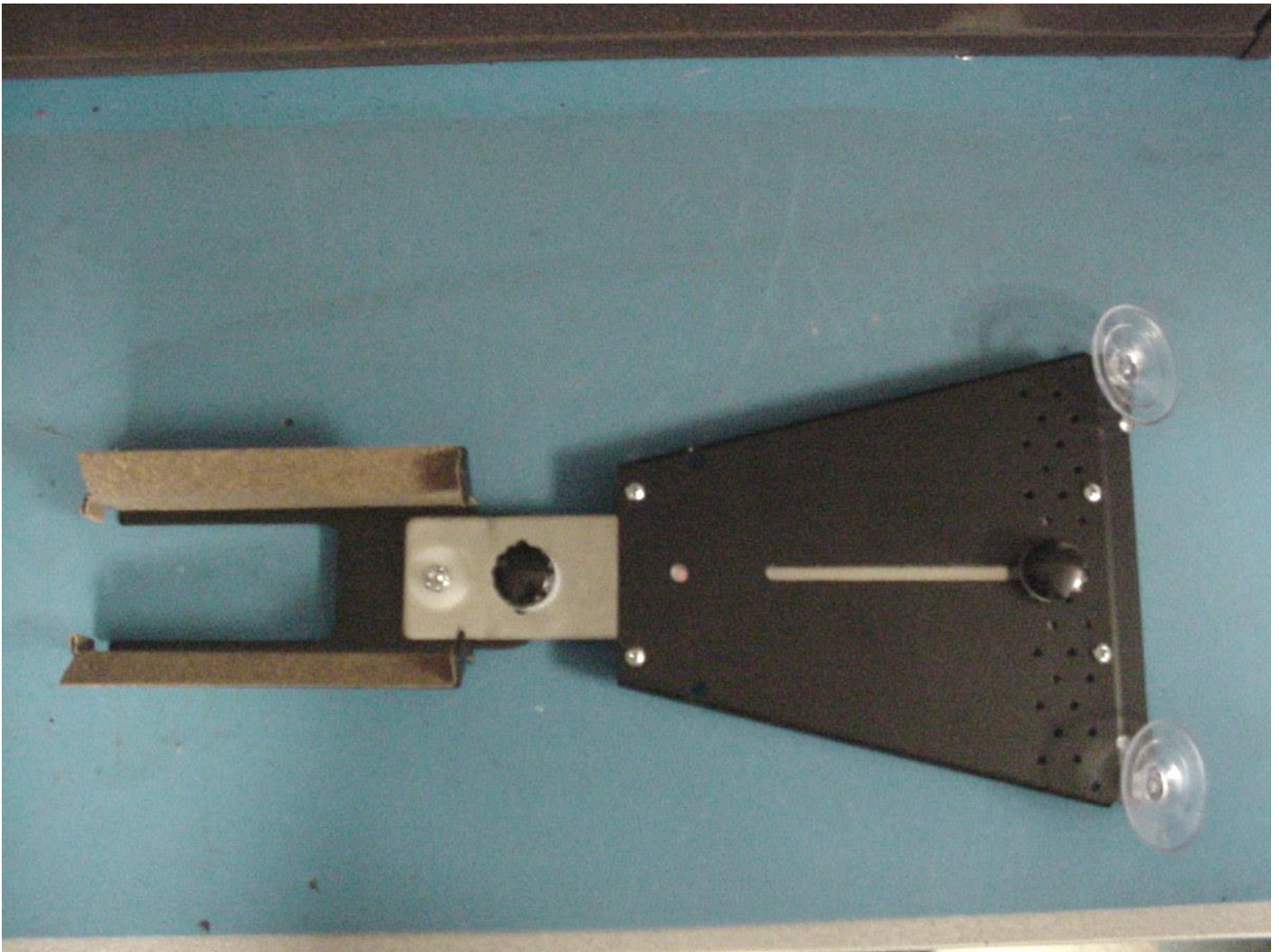
UNIT: MOUNTS

PIN: 300-1054-00

7" HANDHELD DASH MOUNT

Vehicles: Universal Car
Model Years: Universal
Location: Dash
Products: Talon with Handle

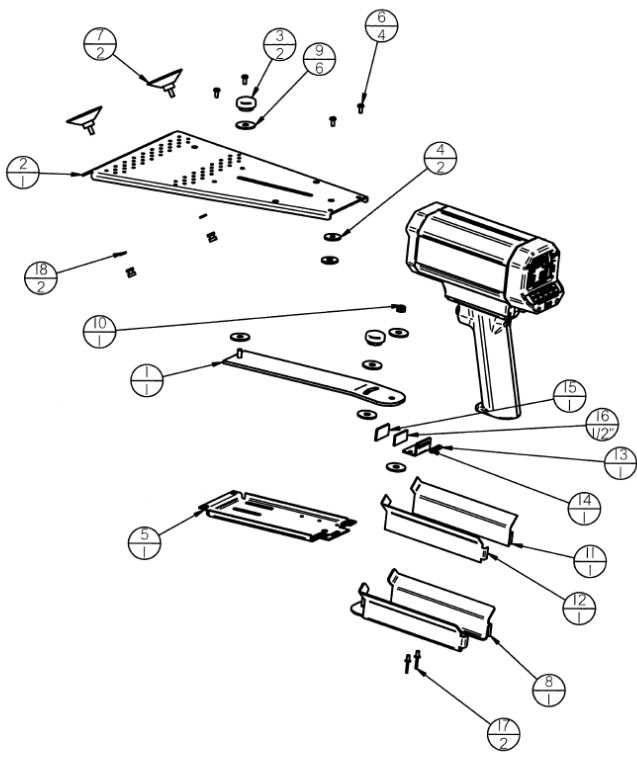
ORDER PART NUMBER 200-1869-00



12" HANDHELD DASH MOUNT

Vehicles: Universal Car
 Model Years: Universal
 Location: Dash
 Products: Talon with Handle

ORDER PART NUMBER 200-1991-00



REFERENCE BILL OF MATERIAL 200-1991-00

Item Number	Quantity	Title	Document Number
18	2	WASHER, INTERNAL TOOTH #8	089-8500-05
17	2	POP RIVET, DOME HEAD STAINLESS STEEL	092-0089-00
16	1/2"	TAPE, 3M SCOTCH VHB 1" WIDE	012-0063-00
15	1	BRACKET BACKUP PLATE	047-3978-02
14	1	BRACKET, NO-POD TALON MOUNT	047-3977-02
13	1	MAGNET, NO-POD TALON	090-0754-00
12	1	TALON DASH MOUNT GASKET	187-0209-01
11	1	TALON DASH MOUNT GASKET	187-0209-00
10	1	NUT, ELASTIC STOP 10-32	089-2310-22
9	6	NYLON WASHER .878 O.D. X .253 I.D.	090-0103-02
8	1	TALON DASH MOUNT BRACKET	047-3937-02
7	2	SUCTION CUP, WITH KNURLED NUT	090-0297-00
6	4	SCREW, PHILLIPS PAN HEAD MACHINE #6-32 X .3125	089-5062-05
5	1	DASH BOTTOM BRACKET 7"	047-1245-03
4	2	SHOULDER WASHER	090-0004-06
3	2	KNOB, FEMALE	090-0298-00
2	1	BRACKET, DASH TOP 12"	047-1125-02
1	1	TALON DASH MOUNT SLIDE	047-3938-01

REVISIONS					SE	THIRD ANGLE PROJECTION	DATE
REV	ECD	DATE	BY	APP	DRN	DATE	
0	REL	10-19-04	SJW	MS		10-04	
1	4376	10-25-05	SJW	<i>[Signature]</i>	GHR	10-04	
					APP	10-20-04	
					MS	10-20-04	

TOLERANCES UNLESS NOTED - DIMENSIONS ARE IN INCHES UNLESS SPECIFIED OTHERWISE

LINEAR ANGLES ± .1°
 HOLES ± .005
 HOLES ± .010"

SCALE: REF. SHIT OF

TITLE: ASSEMBLY, TALON II 12 INCH DASH MOUNT
 UNIT: TALON II
 PIN: 300-1442-00
 SIZE: B

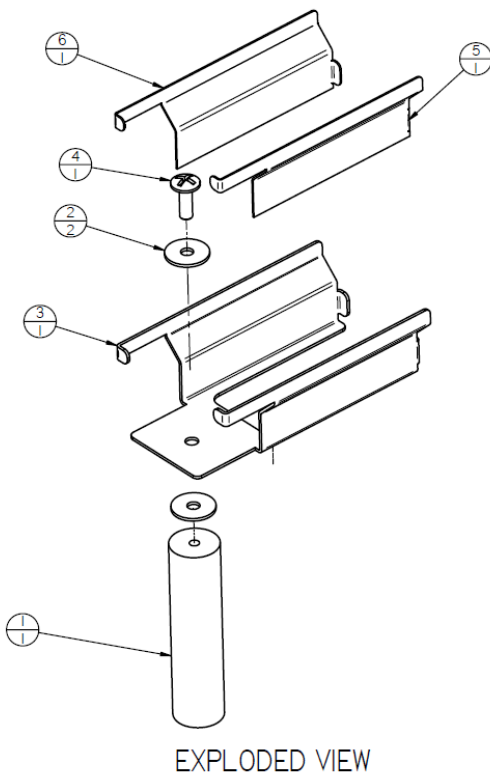
KUSTOM SIGNALS, INC.
 1010 W. CHESTNUT
 CHANUTE, KS 66720-1429

This document is CONFIDENTIAL, THE SOLE PROPERTY of KUSTOM SIGNALS, INC. and is disclosed to the holder for his confidential use only. The holder promises and agrees that it shall not be reproduced or copied in any manner, be lent to others, nor be disposed of entirely or in part.

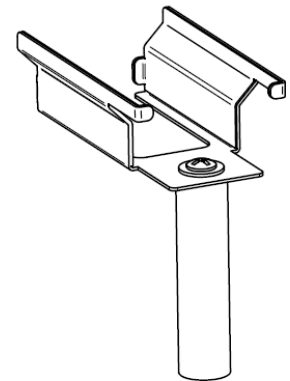
TRIPOD CENTER MOUNT

Vehicles: Universal
 Model Years: 2013-Present
 Location: Center Dash Tray
 Products: Talon II

ORDER PART NUMBER 200-2166-00



EXPLODED VIEW




ASSEMBLED VIEW

REFERENCE BILL OF MATERIALS: 200-2166-00

Item Number	Quantity	Title	Document Number
6	1	GASKET, FALCON HR CRADLE	187-0226-00
5	1	GASKET, FALCON HR CRADLE	187-0226-01
4	1	MACHINE SCREW TRUSS HEAD PHILLIPS 1/4 - 20 X 3/4 INCHES	089-5893-12
3	1	BRACKET, FALCON HR TRIPOD	047-4400-00
2	2	NYLON WASHER .878 O.D. X .253 I.D.	090-0103-02
1	1	ROD 4" THREADED	076-0240-00

REV	ECO	DATE	BY	APP	CE	THIRD ANGLE PROJECTION	DATE
0	REL	12-29-09	SHW	SHEL		DATE	11-25-09
						DATE	1-4-10
						DATE	1-4-10

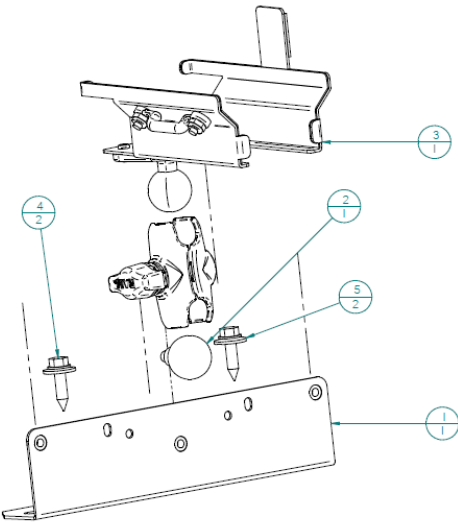
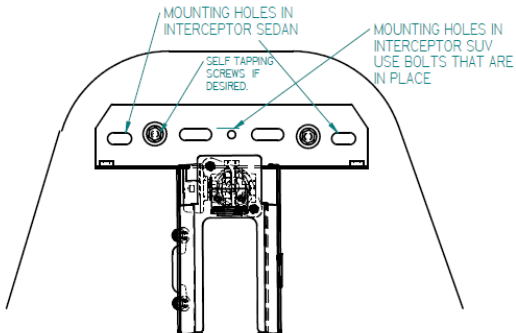
TOLERANCES UNLESS NOTED: DIMENSIONS ARE IN INCHES UNLESS SPECIFIED OTHERWISE		 KUSTOM SIGNALS, INC. 1010 W. CHESTNUT CHANUTE, KS 66720-1429 THIS DOCUMENT IS CONFIDENTIAL, THE SOLE PROPERTY OF KUSTOM SIGNALS, INC. and is disclosed to the holder for his confidential use only. The holder promises and agrees that it shall not be reproduced or copied in any manner, be lent to others, nor be disposed of entirely or in part.
LINEAR X ± .1 M ± .03 HOLE DIA SCALE	ANGLES ± .1° HOLES ± .005 INCH ± .016"	
TITLE ASSEMBLY, FALCON HR TRIPOD MOUNT		UNIT FALCON HR
SCALE REF		PIN 300-1538-00

NOTES:
 1. PLACE ADHESIVE-BACK CORK FIRMLY INTO PLACE ON ITEM 3 BRACKET

Interceptor Mount

Vehicles: Ford Interceptor
 Model Years: 2012-Present
 Location: Dash Board, Center Dash Tray
 Products: Talon II

ORDER PART NUMBER 050-1877-01





CENTER TRAY LAYOUT

NOTES:
 1. IN SEDAN - REMOVE BOLTS AND INSTALL MAIN BRACKET IN EXISTING HOLES OR DRILL DIRECT INTO THE PLATE WITH SELF TAPPING SCREW.
 2. IN SUV - REMOVE TRAY AND MOUNTING BOLTS. MARK BOLT HOLE LOCATIONS AND DRILL HOLES IN TRAY. REPLACE TRAY AND MOUNT BRACKET USING THE EXISTING BOLTS.
 3. SELF TAPPING SCREWS CAN BE USED TO ATTACH THE MOUNT DIRECTLY INTO THE CENTER PLATE.

Item Number	Document Number	Title	Quantity
1	047-6445-00	MAIN BRACKET- FORD INTERCEPTOR	1
2	015-0727-05	1" RUBBER BALL W/1/4"-20 ALUM STUD	1
3	050-0704-00	KIT, TALON MOTORCYCLE SHORT/LONG HANDLEBAR	1
4	089-6070-01	SCREW, SHEET METAL HEX HD 1/4-20X1"	2
5	090-0103-03	WASHER, NEOPRENE .735X.203	2

REVISIONS					SE
REV	ECO	DATE	BY	APP	
0	REL	6-22-16	SDM	MS	
					DRN SDM DATE 5-31-16
					CHK DD DATE 6-16-16
					APP MS DATE 6-22-16
TOLERANCES UNLESS NOTED - DIMENSIONS ARE IN INCHES UNLESS SPECIFIED OTHERWISE					
LINEAR					ANGLES ± 1°
HOLE ± .005					HOLE ± .005
XX ± .03					INCH ± .016"
XXX ± .015					
SCALE					SHT 1 OF 1
REF.					



KUSTOM SIGNALS, INC.
 1010 W. CHESTNUT
 CHANUTE, KS 66720-1429

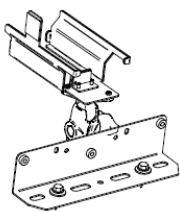
This document is CONFIDENTIAL, THE SOLE PROPERTY OF KUSTOM SIGNALS, INC. and is disclosed to the holder for his confidential use only. The holder promises and agrees that it shall not be reproduced or copied in any manner, be lent to others, nor be disposed of entirely or in part.

TITLE
FORD INTERCEPTOR TALON MOUNT

UNIT
RADAR

PIN
050-1877-01

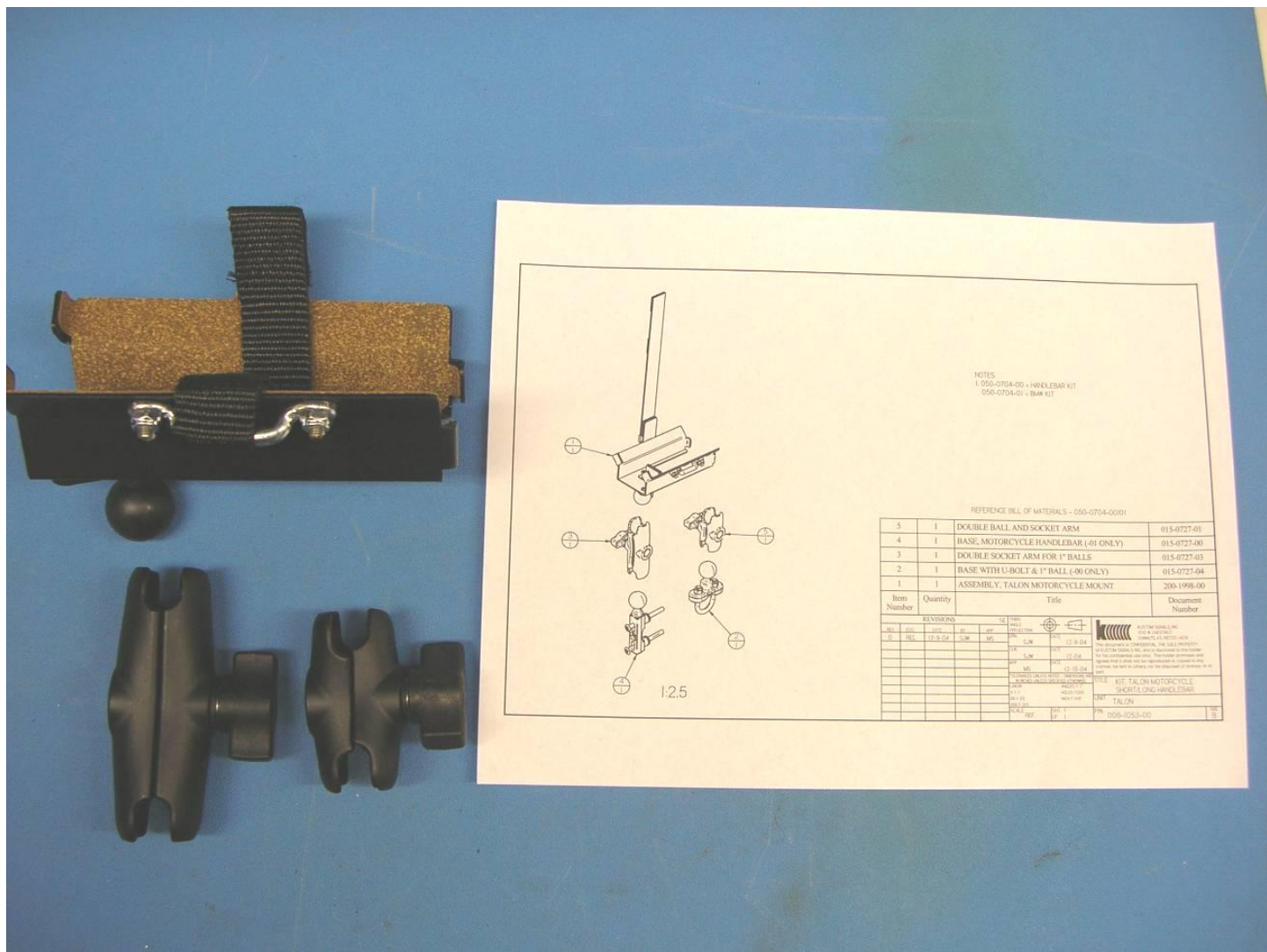
SEE
B



MOTORCYCLE HANDLEBAR MOUNT

Vehicles: All Motorcycles with Tube Handlebar
 Model Years: 2012-Present
 Location: Handlebar
 Products: Talon II

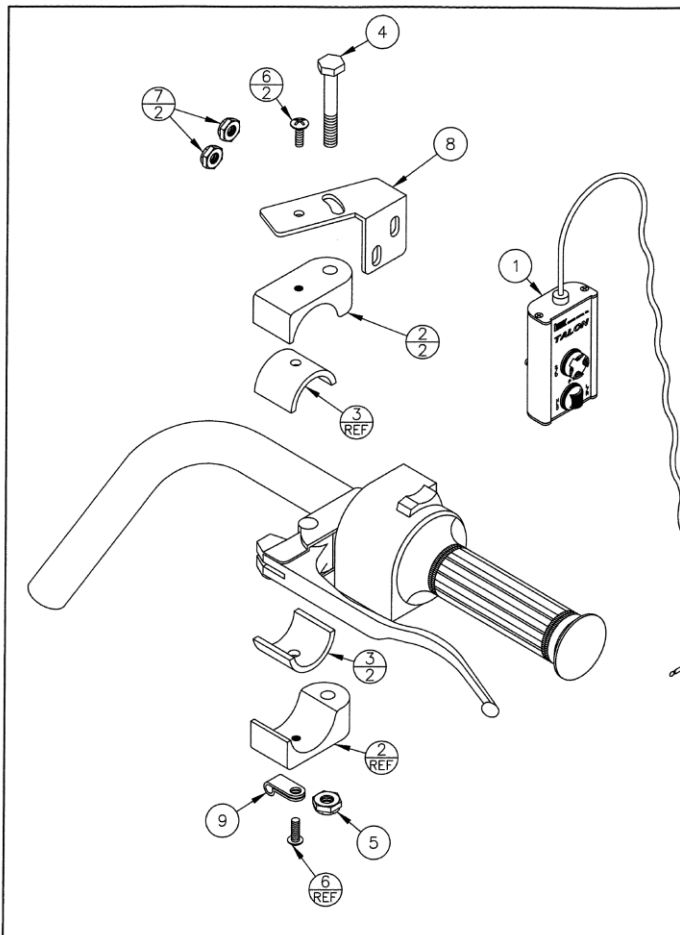
ORDER PART NUMBER 050-0704-00



1999-2013 K75 REMOTE HANDLEBAR MOUNT

Vehicles: BMW K75
 Model Years: Universal
 Location: Handlebar
 Products: Talon Remote

ORDER PART NUMBER 050-0433-06



INSTRUCTIONS FOR MOUNTING THE TALON DUAL SWITCH REMOTE TO A KAWASAKI KZ1000-P OR A BMW K75 RTP MOTORCYCLE. KIT #050-0433-06
 TOOLS REQUIRED: PHILLIPS SCREWDRIVER
 (2) 7/16 INCH WRENCHES
 3/8 INCH WRENCH

1. PLACE THE BLACK HANDLEBAR BUSHINGS (ITEM 3) ON THE LEFT SIDE (CLUTCH SIDE) OF THE HANDLEBAR AND HOLD IN PLACE WITH THE MOTORCYCLE HANDLEBAR MOUNTS (ITEM 2).
2. SECURE THE REMOTE BRACKET (ITEM 8) TO THE TOP OF THE MOUNT WITH THE 1/4-20X2" HEX BOLT (ITEM 4) AND A 1/4-20 ELASTIC STOP NUT (ITEM 5). TIGHTEN FIRMLY IN PLACE.
3. ATTACH THE TALON DUAL SWITCH REMOTE (ITEM 1) TO THE REMOTE BRACKET (ITEM 8) WITH THE 10-32 ELASTIC STOP NUTS (ITEM 7).
4. ADJUST THE REMOTE AND SECURE IN PLACE WITH A 10-32-1/4" PAN HEAD SCREW (ITEM 6).
5. FIT THE CABLE FROM THE REMOTE INTO THE CABLE CLAMP (ITEM 9) AND SECURE THE CLAMP TO ITEM 2 WITH A 10-32X1/4" PAN HEAD PHILLIPS SCREW (ITEM 6).
6. ROUTE THE CABLE AS DESIRED AND SECURE TO THE HANDLEBAR WITH THE PLASTIC CABLE TIES.
7. CONNECT THE REMOTES CABLE INTO THE TALON RADAR.

10	4	CABLE TIE BLACK NYLON 7.5"	090-0631-01
9	1	CABLE CLAMP 3/16"	090-0011-01
8	1	REMOTE BRACKET KAWASAKI	047-3061-01
7	2	10-32 ELASTIC STOP NUT (THIN) SS	089-2310-55
6	2	10-32X1/4" PAN HEAD PHILLIPS SCREW SS	089-5780-04
5	1	1/4-20 ELASTIC STOP NUT (THIN) STAINLESS	089-2312-55
4	1	1/4-20X2" HEX BOLT STAINLESS STEEL	089-2665-00
3	2	BUSHING, MOTORCYCLE HANDLEBAR MOUNT	087-1178-01
2	2	MOTORCYCLE HANDLEBAR MOUNT	047-5253-01
1	N/A	TALON DUAL SWITCH REMOTE	200-1552-00

REV	ECO	DATE	BY	APP	THIRD ANGLE PROJECTION
0	REL	6-99	SJW	M/S	DRN SJW DATE 6-99
					CHK SHAY DATE 6-99
					APP M/S DATE 6-99

CAD

TOLERANCE UNLESS NOTED
 LINEAR: .XX±.03 ANGLES: ±1
 .XXX±.015 HOLES: ±.005
 INCH: ± 1/8

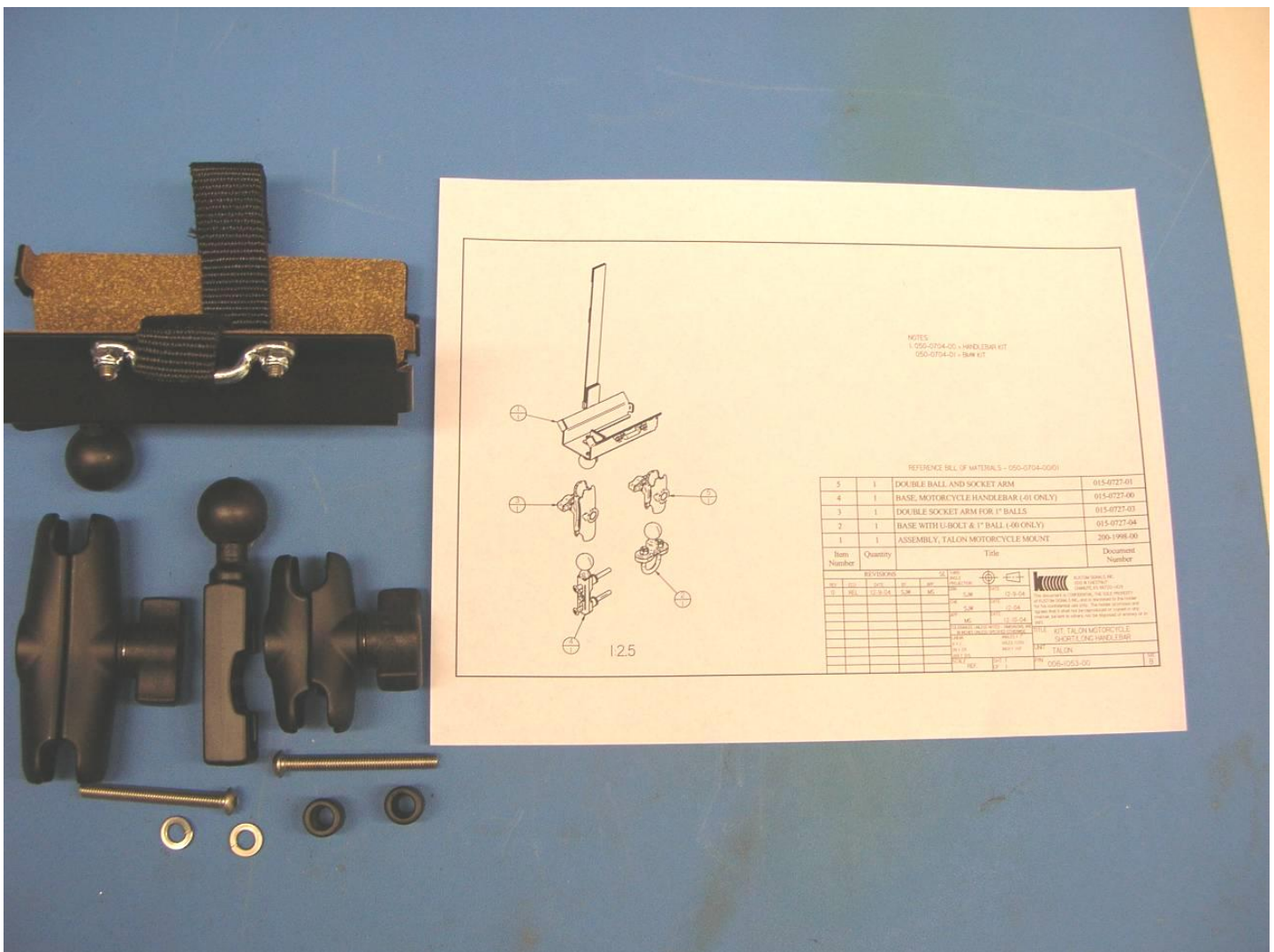
SCALE N.T.S. SHT 1 OF 1

TITLE DUAL SWITCH REMOTE MOUNTING INSTRUCTIONS
 UNIT MOUNTS
 P/N 006-0576-09 SIZE B

1999-2013 1200 RTP HANDLEBAR MOUNT
 1999-2010 1150 RTP HANDLEBAR MOUNT

Vehicles: BMW 1200 RTP
 BMW 1150 RTP
 Model Years: Universal
 Location: Handlebar
 Products: Talon with Handle

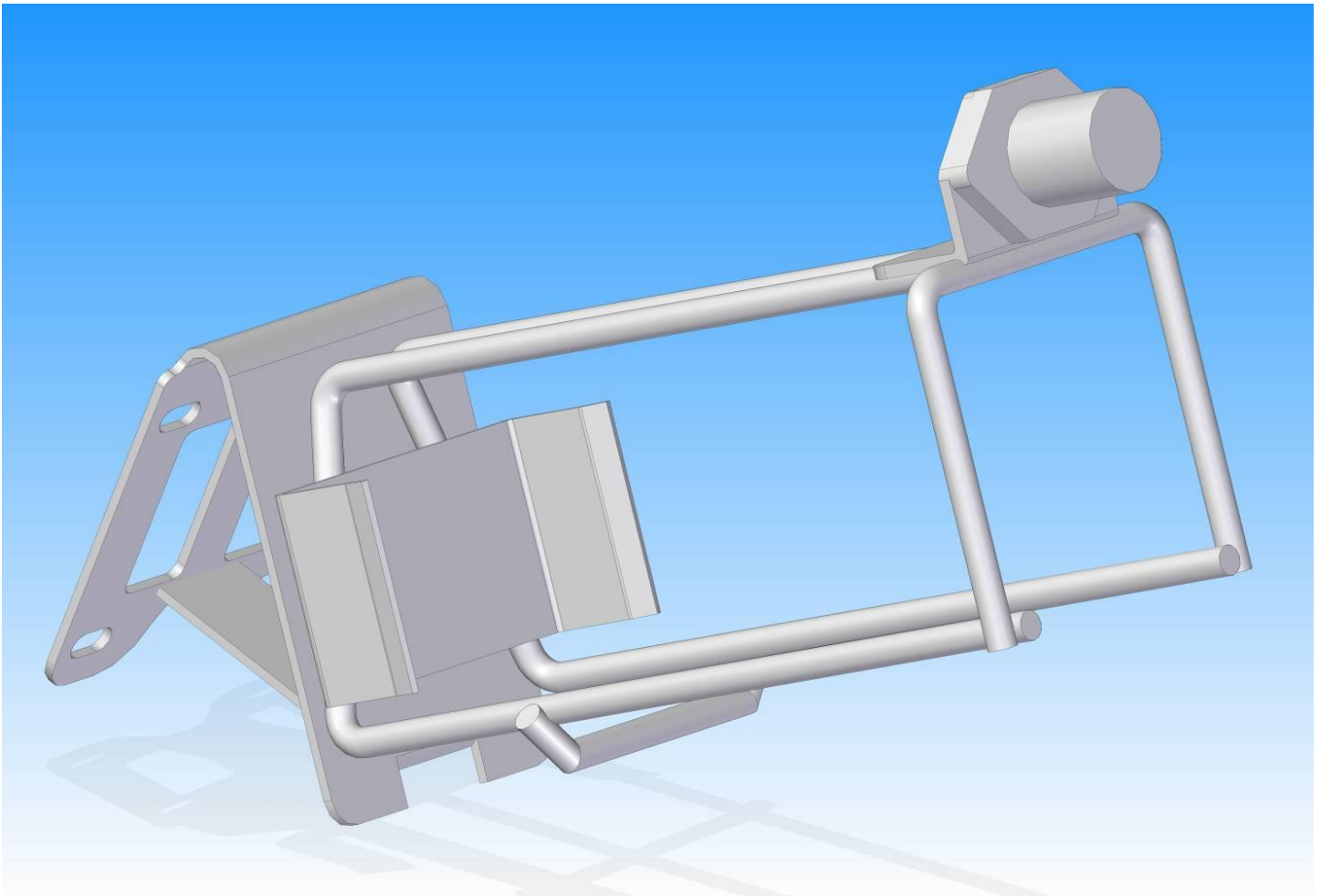
ORDER PART NUMBER 050-0704-01



2009-2013 1200 RTP HOLSTER WITH MOUNT

Vehicles: BMW 1200 RTP
Model Years: Universal
Location: Crash Bar
Products: Talon with Handle

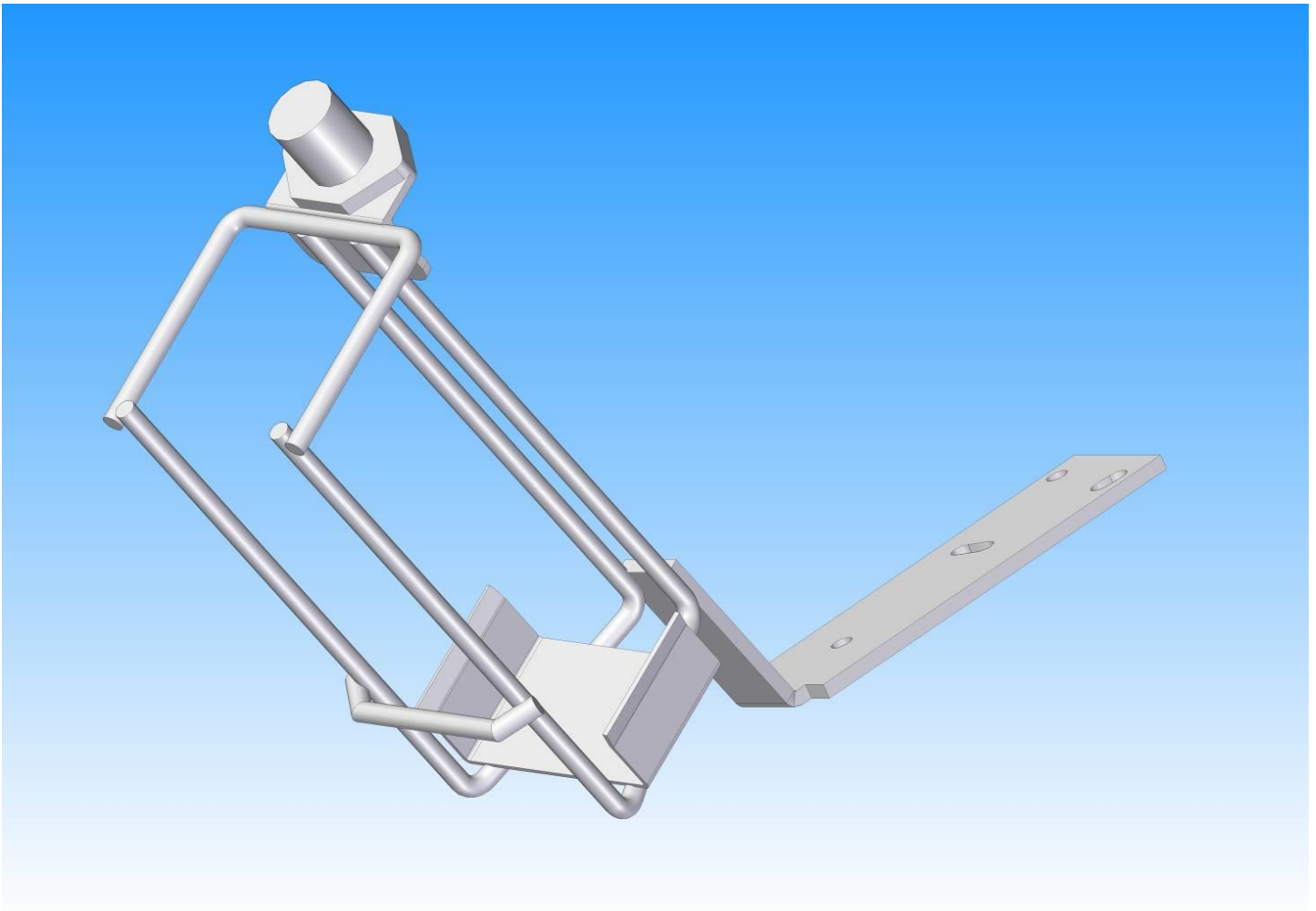
ORDER PART NUMBER 015-0793-01



2002-2010 1150 RTP HOLSTER WITH MOUNT

Vehicles: BMW 1150 RTP
Model Years: Universal
Location: Crash Bar
Products: Talon with Handle

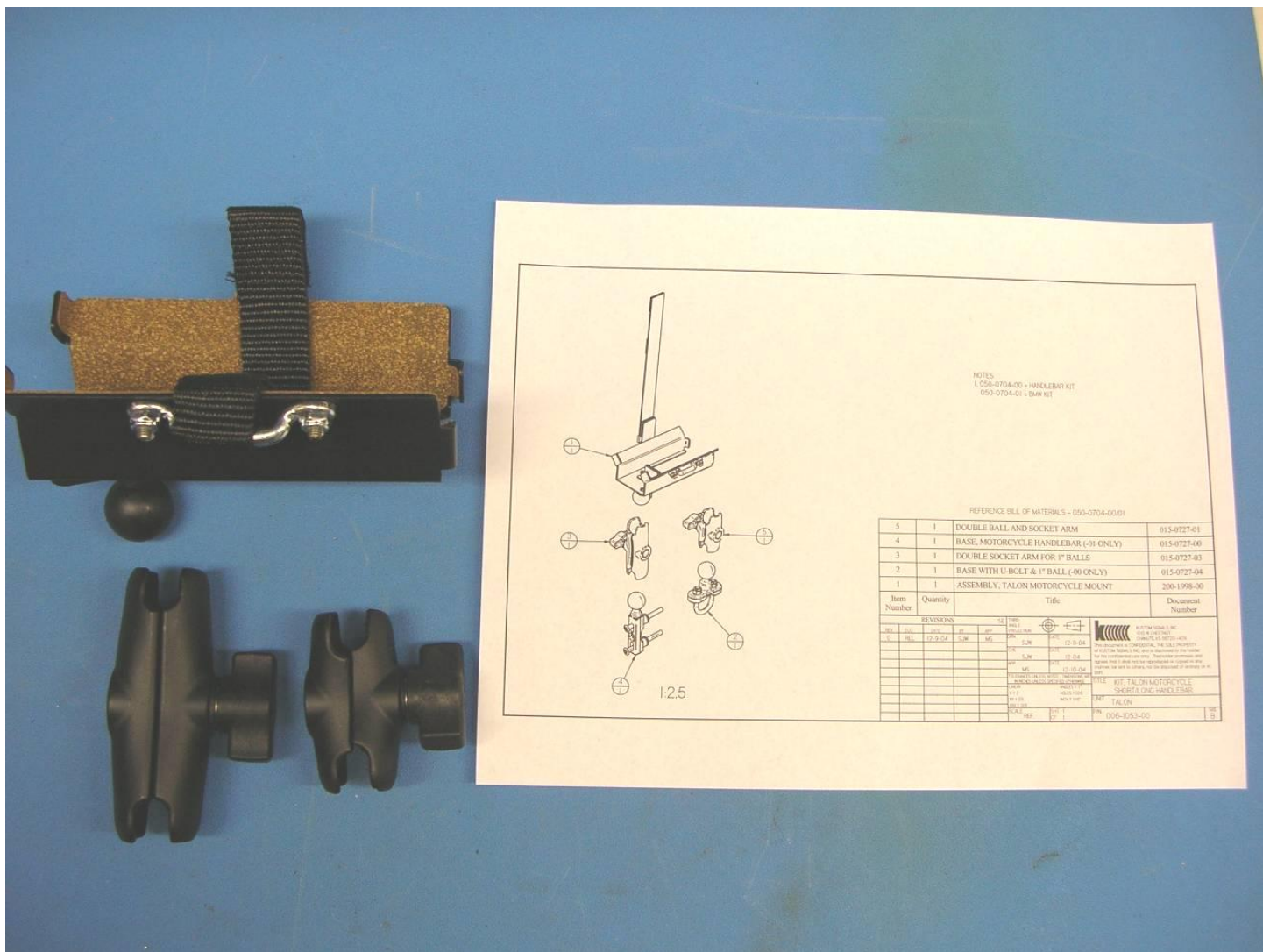
ORDER PART NUMBER 015-0793-00



2006-2013 HANDLEBAR MOUNT

Vehicles: Harley Davidson Road King Motorcycle
 Harley Davidson Electra-Glide Motorcycle
 Model Years: Universal
 Location: Handlebar
 Products: Talon with Handle

ORDER PART NUMBER 050-0704-00



2006-2013 ABS HOLSTER AND MOUNT


Vehicles: Harley Davidson Road King Motorcycle
 Harley Davidson Electra-Glide Motorcycle
 Model Years: Universal
 Location: Handlebar
 Products: Talon with Handle

ORDER PART NUMBER 050-0615-09



TALON
 HARLEY DAVIDSON
 015-0615-09 (WITH 057-1542-03 APPLIED)

REVISIONS					SE	THIRD ANGLE PROJECTION		
REV	ECO	DATE	BY	APP	DRN	DATE		
0	REL	2-02	SHAY	MS	SHAY	1-02		
1	3317	1-03	SJW	MS	CHK	DATE		
2	3322	1-03	SJW	DLK	SJW	2-02		
3	4583	06-13-06	SJW	SHEL	APP	DATE		
					SHAY	2-02		
TOLERANCE UNLESS NOTED								
LINEAR						ANGLES±1°		
X±.1						HOLES±.005		
.XX±.03						INCH± 1/16"		
.XXX±.015								
SCALE						SHI	4	P/N
REF.						OF	4	015-0615-00/99
								SIZE
								A



KUSTOM SIGNALS, INC.
 1010 W. CHESTNUT
 CHANUTE, KS 66720-1429

This document is CONFIDENTIAL, THE SOLE PROPERTY of KUSTOM SIGNALS INC, and is disclosed to the holder for his confidential use only. The holder promises and agrees that it shall not be reproduced or copied in any manner, be lent to others, nor be disposed of entirely or in part.

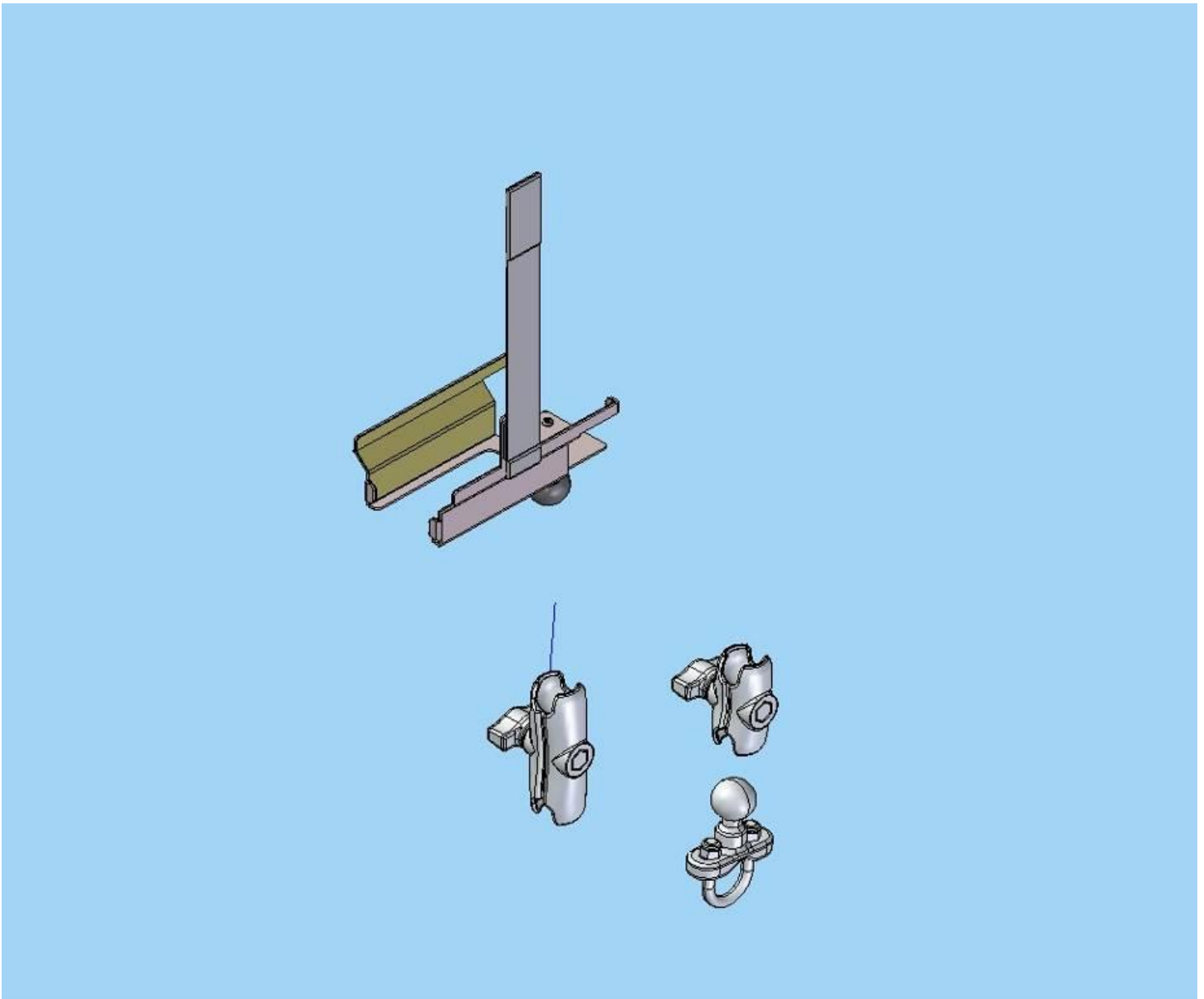
TITLE PROIII AND TALON HOLSTER AND MOUNT

UNIT PROIII AND TALON

2009-2013 KZP 1400 Handlebar Mount

Vehicles: Kawasaki KZP 1400
Model Years: 2009-2013
Location: Handlebar
Products: Talon II

ORDER PART NUMBER 050-0776-00



2009-2013 KZP 1400 Holster with Mount

Vehicles: Kawasaki KZP 1400/Honda
 Model Years: 2009-2013
 Location: Crash Bar
 Products: Talon

ORDER PART NUMBER 015-0615-07



TALON KAWASAKI
015-0615-07 (WITH 057-1542-02 APPLIED)

PURCHASED PARTS:

TALONS'

- 56= Kawasaki without locks- RR570KW
- 57= Kawasaki with locks - RR570KWL
- 58= Harley Davidson without locks - RR570HD
- 59= Harley Davidson with locks - RR570HDL
- 60= BMW without locks - RR570BMW
- 61= BMW with locks - RR570BMWL

WITH ID DECALS APPLIED:

TALONS'

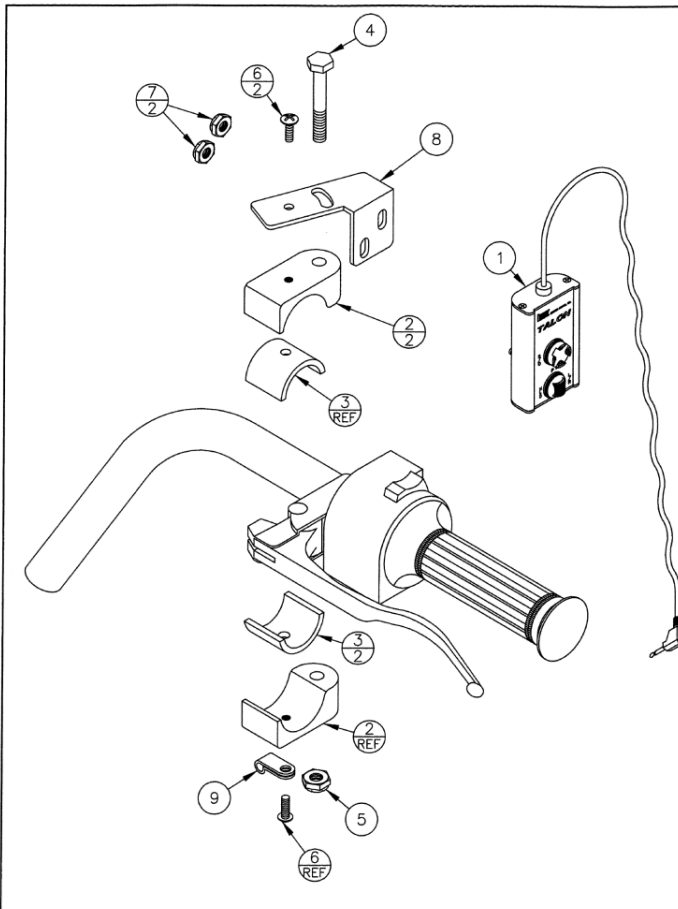
- 06= Kawasaki without locks- RR570KW
- 07= Kawasaki with locks - RR570KWL
- 08= Harley Davidson without locks - RR570HD
- 09= Harley Davidson with locks - RR570HDL
- 10= BMW without locks - RR570BMW
- 11= BMW with locks - RR570BMWL

REVISIONS					SE	THIRD ANGLE PROJECTION	DATE	
REV	ECO	DATE	BY	APP	ORIGIN	DATE	DATE	
0	REL	2-02	SHAY	MS	ORN	SHAY	1-02	
1	3317	1-03	SJW	MS	ORN	SJW	2-02	
2	3322	1-03	SJW	DLK	APP	SHAY	2-02	
3	4583	06-13-06	SJW	SHE				
TOLERANCE UNLESS NOTED						TITLE		
LINEAR						ANGLES 11°		
X±.1						HOLE±.005		
X±.03						IND±.116'		
.001±.015						UNIT		
SCALE						PART		
REF.						OF 3		
						OF 4		
						PART		
						015-0615-00/99		
						REV		
						A		

1999-2013 Remote Handlebar Mount

Vehicles: Motorcycles
 Model Years: 1999-Present
 Location: Handlebar
 Products: Talon

ORDER PART NUMBER 050-0433-06



INSTRUCTIONS FOR MOUNTING THE TALON DUAL SWITCH REMOTE TO A KAWASAKI KZ1000-P OR A BMW K75 RTP MOTORCYCLE. KIT #050-0433-06

TOOLS REQUIRED: PHILLIPS SCREWDRIVER
 (2) 7/16 INCH WRENCHES
 3/8 INCH WRENCH

- PLACE THE BLACK HANDLEBAR BUSHINGS (ITEM 3) ON THE LEFT SIDE (CLUTCH SIDE) OF THE HANDLEBAR AND HOLD IN PLACE WITH THE MOTORCYCLE HANDLEBAR MOUNTS (ITEM 2).
- SECURE THE REMOTE BRACKET (ITEM 8) TO THE TOP OF THE MOUNT WITH THE 1/4-20X2" HEX BOLT (ITEM 4) AND A 1/4-20 ELASTIC STOP NUT (ITEM 5). TIGHTEN FIRMLY IN PLACE.
- ATTACH THE TALON DUAL SWITCH REMOTE (ITEM 1) TO THE REMOTE BRACKET (ITEM 8) WITH THE 10-32 ELASTIC STOP NUTS (ITEM 7).
- ADJUST THE REMOTE AND SECURE IN PLACE WITH A 10-32-1/4" PAN HEAD SCREW (ITEM 6).
- FIT THE CABLE FROM THE REMOTE INTO THE CABLE CLAMP (ITEM 9) AND SECURE THE CLAMP TO ITEM 2 WITH A 10-32X1/4" PAN HEAD PHILLIPS SCREW (ITEM 6).
- ROUTE THE CABLE AS DESIRED AND SECURE TO THE HANDLEBAR WITH THE PLASTIC CABLE TIES.
- CONNECT THE REMOTES CABLE INTO THE TALON RADAR.

10	4	CABLE TIE BLACK NYLON 7.5"	090-0631-01
9	1	CABLE CLAMP 3/16"	090-0011-01
8	1	REMOTE BRACKET KAWASAKI	047-3061-01
7	2	10-32 ELASTIC STOP NUT (THIN) SS	089-2310-55
6	2	10-32X1/4" PAN HEAD PHILLIPS SCREW SS	089-5780-04
5	1	1/4-20 ELASTIC STOP NUT (THIN) STAINLESS	089-2312-55
4	1	1/4-20X2" HEX BOLT STAINLESS STEEL	089-2665-00
3	2	BUSHING, MOTORCYCLE HANDLEBAR MOUNT	087-1178-01
2	2	MOTORCYCLE HANDLEBAR MOUNT	047-5253-01
1	N/A	TALON DUAL SWITCH REMOTE	200-1552-00

REVISIONS				
REV	ECO	DATE	BY	APP
0	REL	6-99	SJW	MJS

THIRD ANGLE PROJECTION	
DRN	DATE
SJW	6-99
CHK SHAN	6-99
APP MJS	6-99

TOLERANCE UNLESS NOTED
 LINEAR: .X±
 .XX±.03
 .XXX±.015
 ANGLES: ±1
 HOLES: ±.005
 INCH± 1/8

SCALE N.T.S. SHT OF 1

TITLE DUAL SWITCH REMOTE MOUNTING INSTRUCTIONS
 UNIT MOUNTS

P/N **006-0576-09** SIZE B

KUSTOM SIGNALS, INC.
 1810 W. CHESTNUT
 CHANUTE, KS 66720-1429

This document is CONFIDENTIAL the sole property of KUSTOM SIGNALS INC., and is disclosed to the holder for his confidential use only. The holder promises and agrees that it shall not be reproduced or copied in any manner, be lent to or have contents made known to others, nor be disposed of entirely or in part.

2007-2013 Handlebar Mount

Vehicles: Motorcycles
 Model Years: 1999-Present
 Location: Handlebar
 Products: Talon

ORDER PART NUMBER 050-0704-00

